

NOZZLE SCHEDULE							
NOZZLE ID	SERVICE	NOMINAL SIZE	REPAD	"Z" DIM.	ANGLE	RADIUS	NOTE
N01	MANWAY	24" OD X 5/8" ROLLED PLATE W/ 24" 150# RFWN	NO	18'-1"	290	3'-3"	SEE SHEET 8
N02	-NOT USED-	-	-	-	-	-	-
N03	INSTRUMENT (LEVEL) W/ STANDPIPE	2" SCH. 40S W/ 2" RFSO	NO	18'-1"	215	3'-0"	SEE SHEET 10
N04	VENT	3" SCH. 40S W/ 3x2 REDUCER & 2" 150# RFWN	NO	18'-1"	CENTER	CENTER	SEE SHEET 9
N05	OVERFLOW	10" SCH. 40S	YES	12'-3"	135	SIDE	SEE SHEET 9
N06	-NOT USED-	-	-	-	-	-	-
N07	VESSEL DISCHARGE OUTLET	4" SCH. 40S W/ 4" SCH. 40S ELBOW & 4x3 REDUCER & 3" SCH. 40S	YES	-3'-9"	180	SIDE	SEE SHEET 11
N08	INLET/RECIRCULATION	3" SCH. 40S W/ 3x2 REDUCER	NO	0'-5"	180	SIDE	SEE SHEET 11
N09	EDUCTOR INLET	3" SCH. 40S W/ 3x2 REDUCER	NO	0'-5"	215	SIDE	SEE SHEET 11
N10	INTAKE AIR	3" SCH. 40S W/ 3x2 REDUCER	NO	16'-0"	90	5'-0"	SEE SHEET 9
N11	SPRAY NOZZLE	10" SCH. 40S W/ 10" 150# RFWN	NO	18'-1"	90	1'-3"	SEE SHEET 9
N11A	INLET TO SPRAY NOZZLE	4" SCH. 40S W/ 4x3 REDUCER & 3" 150# RFWN	NO	18'-11"	90	1'-3"	SEE SHEET 9
N12	CAUSTIC TANK INLET	4" SCH. 40S W/ 4x3 REDUCER	NO	16'-0"	180	5'-0"	SEE SHEET 8
N13	SPARE	4" SCH. 40S W/ 4X3 REDUCER & CAP	NO	16'-0"	75	5'-0"	SEE SHEET 12
N14	SPARE	4" SCH. 40S W/ 4X3 REDUCER & CAP	NO	16'-0"	120	5'-0"	SEE SHEET 12
N15	SPARE	4" SCH. 40S W/ 4X3 REDUCER & CAP	NO	16'-0"	135	5'-0"	SEE SHEET 9
N16	EVAPORATOR CONCENTRATE INLET	3" SCH. 40S W/ 3x1½ REDUCER	NO	16'-0"	165	5'-0"	SEE SHEET 8
N17	SPARE	4" SCH. 40S W/ 4X3 REDUCER & CAP	NO	16'-0"	150	5'-0"	SEE SHEET 12
N18	SPARE	3" SCH. 40S W/ 3x2 REDUCER & CAP	NO	16'-0"	195	5'-0"	SEE SHEET 8
N19	-NOT USED-	-	-	-	-	-	-
N20	BACKFLUSH SOLIDS SLURRY INLET	4" SCH. 40S W/ 4X3 REDUCER	YES	12'-9"	150	SIDE	SEE SHEET 12

NOTE: "Z" DIMENSION IS MEASURED FROM BOTTOM TANGENT LINE. SEE NOZZLE DETAILS.

Please note that source, special nuclear, and byproduct materials, as defined in the Atomic Energy Act of 1954 (AEA) are regulated at the U. S. Department of Energy (DOE) facilities exclusively by DOE acting pursuant to its AEA authority. DOE asserts that pursuant to AEA, it has sole and exclusive responsibility and authority to regulate source, special nuclear, and byproduct materials at DOE-owned nuclear facilities. Information contained herein on radionuclides is provided for process description purposes only.

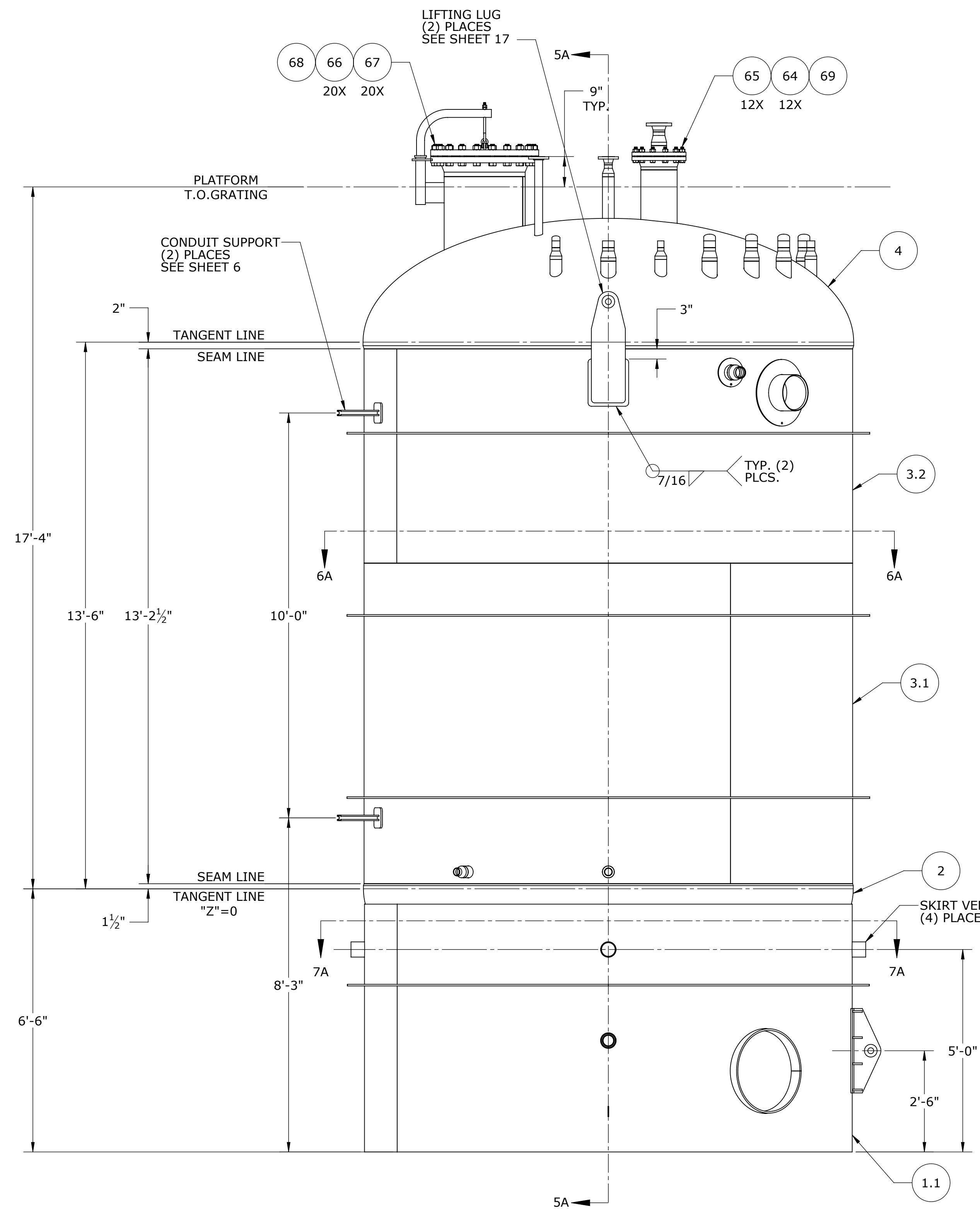
REVISIONS				
REV.	BY	CHK.	DATE	DESCRIPTION
0	SKS	NH	10/30/2017	FOR FABRICATION

**GREENBERRY INDUSTRIAL**  
 5330 NE ELLIOTT CIRCLE  
 CORVALLIS, OR 97330  
 PHONE: (541) 757-8458  
 600 SE MARITIME AVE. SUITE 190  
 VANCOUVER, WA 98661  
 PHONE: (360) 567-0006  
 WWW.GREENBERRY.COM

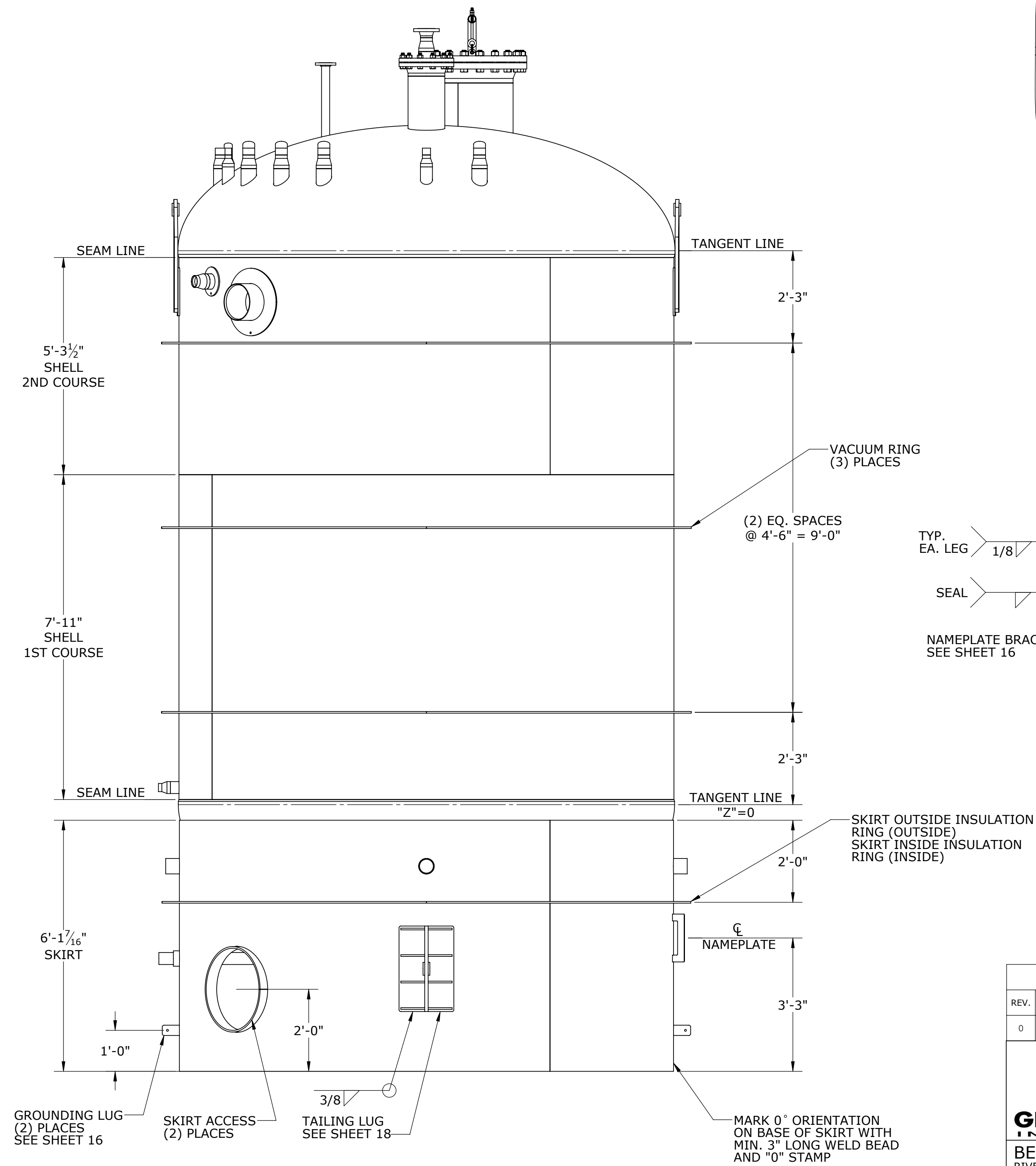
**BECHTEL**  
 RIVER PROTECTION PROJECT WTP  
 RICHLAND, WA  
 PROJECT #: 24590  
 CONTRACT #: DE-AC27-01RV14136  
 P.O. #: 24590-CM-POA-MVSC-00005

**DEP-VSL-00003C EVAP. CONC. VESSEL  
 NOZZLE SCHEDULE**

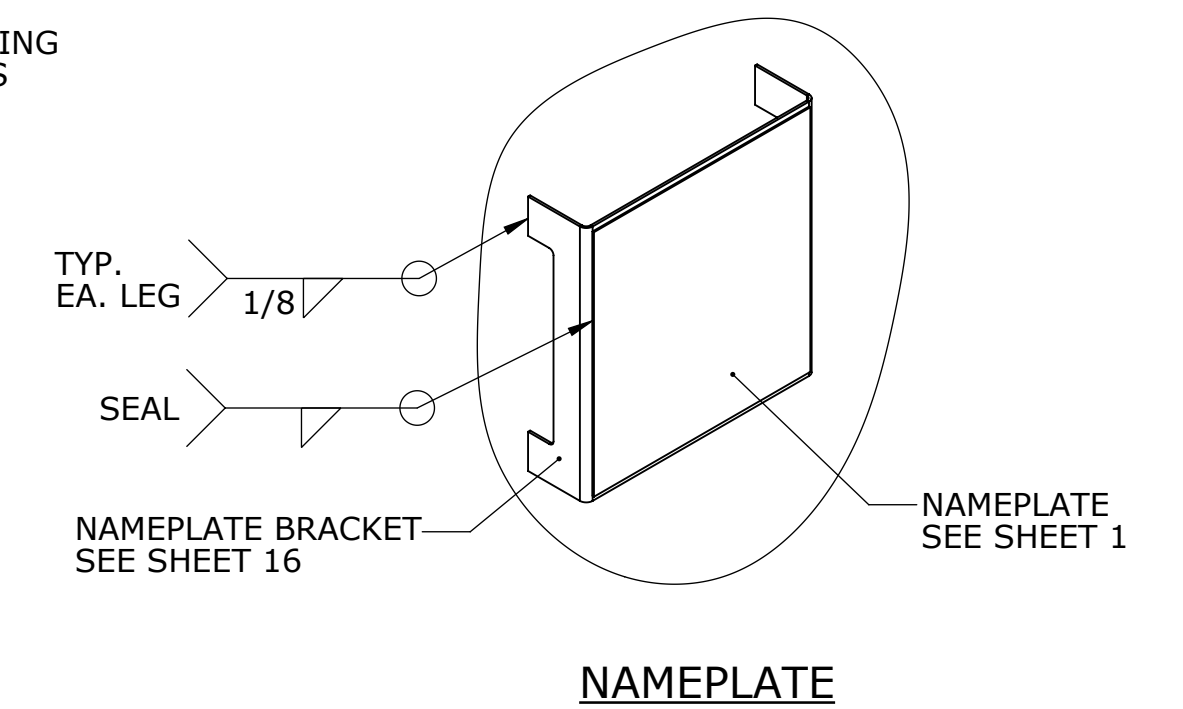
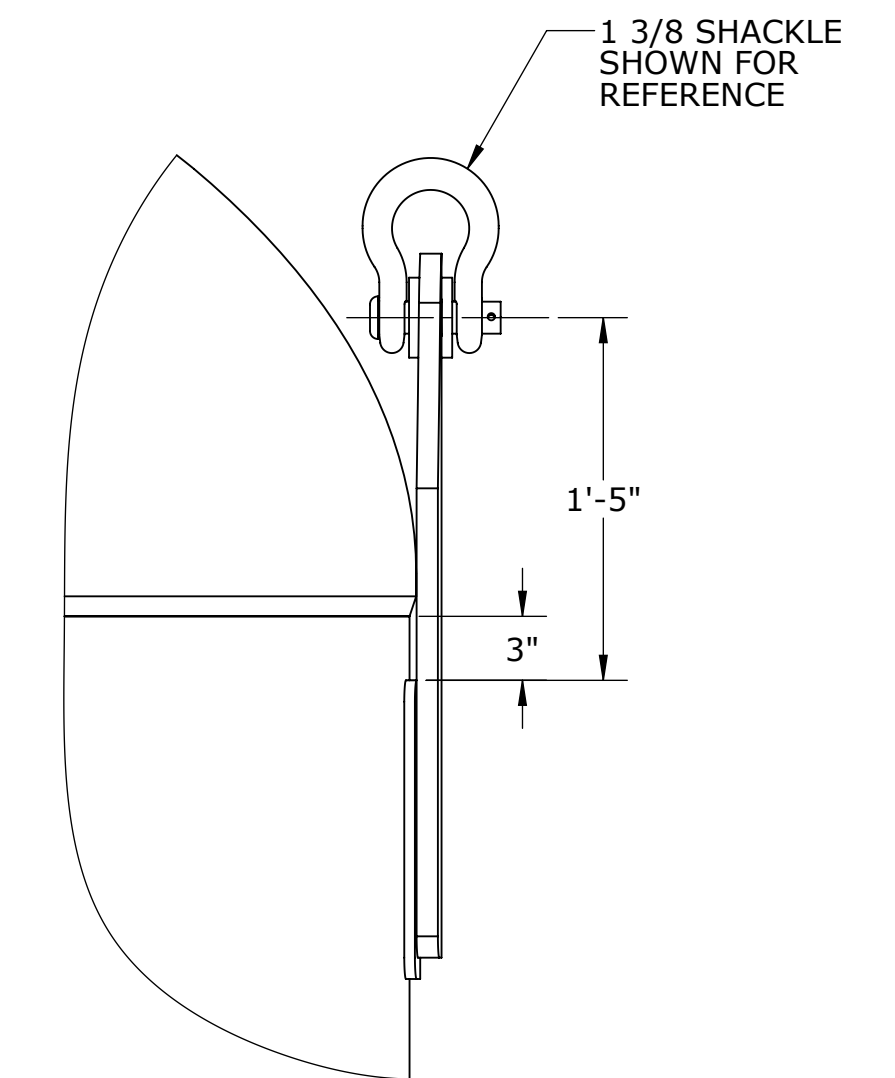
SIZE	DATE: 10/24/17	DRAWING #:	REV.
<b>D</b>	SHEET: 3 OF 18	<b>500005.001-ECC-3</b>	0



VIEW 4A-4A



VIEW 4B-4B



GROUNDING LUG (2) PLACES SEE SHEET 16

SKIRT ACCESS (2) PLACES

TAILING LUG SEE SHEET 18

Please note that source, special nuclear, and byproduct materials, as defined in the Atomic Energy Act of 1954 (AEA) are regulated at the U. S. Department of Energy (DOE) facilities exclusively by DOE acting pursuant to its AEA authority. DOE asserts that pursuant to AEA, it has sole and exclusive responsibility and authority to regulate source, special nuclear, and byproduct materials at DOE-owned nuclear facilities. Information contained herein on radionuclides is provided for process description purposes only.

REVISIONS				
REV.	BY	CHK.	DATE	DESCRIPTION
0	SKS	NH	10/30/2017	FOR FABRICATION

**GREENBERRY INDUSTRIAL**  
 5330 NE ELLIOTT CIRCLE  
 CORVALLIS, OR 97330  
 PHONE: (541) 757-8458

600 SE MARITIME AVE, SUITE 190  
 VANCOUVER, WA 98661  
 PHONE: (360) 567-0006  
 WWW.GREENBERRY.COM

**BECHTEL**  
 RIVER PROTECTION PROJECT WTP  
 RICHLAND, WA  
 PROJECT #: 24590  
 CONTRACT #: DE-AC27-01RV14136  
 P.O. #: 24590-CM-POA-MVSC-00005

**DEP-VSL-00003C EVAP. CONC. VESSEL ELEVATIONS**

SIZE	DATE: 10/24/17	DRAWING #:	REV.
<b>D</b>	SHEET: 4 OF 18	<b>500005.001-ECC-4</b>	0