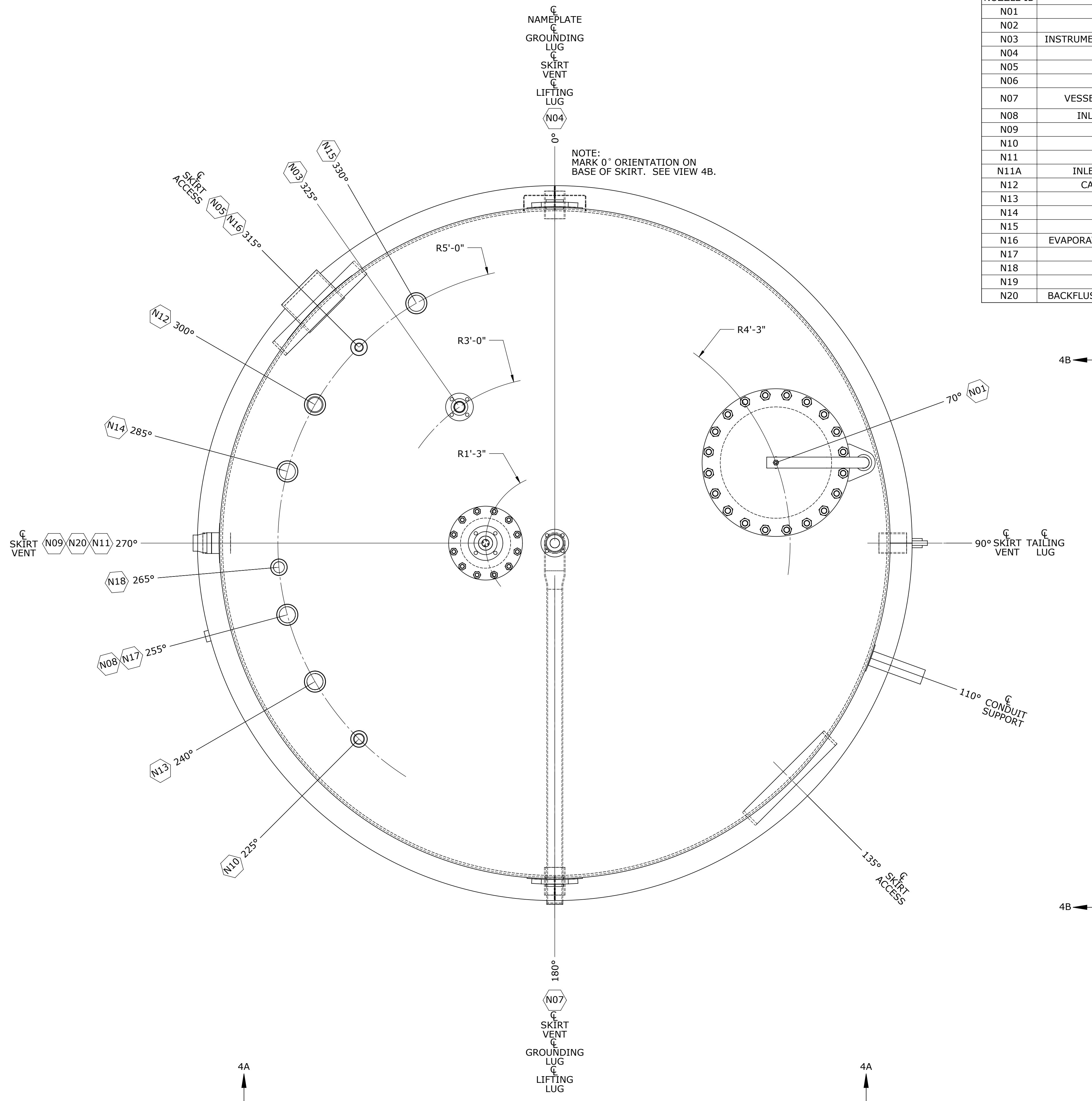


NOZZLE SCHEDULE							
NOZZLE ID	SERVICE	NOMINAL SIZE	REPAD	"Z" DIM.	ANGLE	RADIUS	NOTE
N01	MANWAY	24" OD X 5/8" ROLLED PLATE W/ 24" 150# RFWN	NO	18'-1"	70	4'-3"	SEE SHEET 8
N02	-NOT USED-	-	-	-	-	-	-
N03	INSTRUMENT (LEVEL) W/ STANDPIPE	2" SCH. 40S W/ 2" RFSO	NO	18'-1"	325	3'-0"	SEE SHEET 10
N04	VENT	3" SCH. 40S W/ 3x2 REDUCER & 2" 150# RFWN	NO	18'-1"	CENTER	CENTER	SEE SHEET 9
N05	OVERFLOW	10" SCH. 40S	YES	12'-3"	315	SIDE	SEE SHEET 9
N06	-NOT USED-	-	-	-	-	-	-
N07	VESSEL DISCHARGE OUTLET	4" SCH. 40S W/ 4" SCH. 40S ELBOW & 4x3 REDUCER & 3" SCH. 40S	YES	-3'-9"	180	SIDE	SEE SHEET 11
N08	INLET/RECIRCULATION	3" SCH. 40S W/ 3x2 REDUCER	NO	0'-5"	255	SIDE	SEE SHEET 11
N09	EDUCTOR INLET	3" SCH. 40S W/ 3x2 REDUCER	NO	0'-5"	270	SIDE	SEE SHEET 11
N10	INTAKE AIR	3" SCH. 40S W/ 3x2 REDUCER	NO	16'-0"	225	5'-0"	SEE SHEET 8
N11	SPRAY NOZZLE	10" SCH. 40S W/ 10" 150# RFWN	NO	18'-1"	270	1'-3"	SEE SHEET 9
N11A	INLET TO SPRAY NOZZLE	4" SCH. 40S W/ 4x3 REDUCER & 3" 150# RFWN	NO	18'-11"	270	1'-3"	SEE SHEET 9
N12	CAUSTIC TANK INLET	4" SCH. 40S W/ 4x3 REDUCER	NO	16'-0"	300	5'-0"	SEE SHEET 8
N13	SPARE	4" SCH. 40S W/ 4X3 REDUCER & CAP	NO	16'-0"	240	5'-0"	SEE SHEET 12
N14	SPARE	4" SCH. 40S W/ 4X3 REDUCER & CAP	NO	16'-0"	285	5'-0"	SEE SHEET 12
N15	SPARE	4" SCH. 40S W/ 4X3 REDUCER & CAP	NO	16'-0"	330	5'-0"	SEE SHEET 12
N16	EVAPORATOR CONCENTRATE INLET	3" SCH. 40S W/ 3x1½ REDUCER	NO	16'-0"	315	5'-0"	SEE SHEET 9
N17	SPARE	4" SCH. 40S W/ 4X3 REDUCER & CAP	NO	16'-0"	255	5'-0"	SEE SHEET 12
N18	SPARE	3" SCH. 40S W/ 3x2 REDUCER & CAP	NO	16'-0"	265	5'-0"	SEE SHEET 8
N19	-NOT USED-	-	-	-	-	-	-
N20	BACKFLUSH SOLIDS SLURRY INLET	4" SCH. 40S W/ 4X3 REDUCER	YES	12'-9"	270	SIDE	SEE SHEET 9

NOTE: "Z" DIMENSION IS MEASURED FROM BOTTOM TANGENT LINE. SEE NOZZLE DETAILS.



Please note that source, special nuclear, and byproduct materials, as defined in the Atomic Energy Act of 1954 (AEA) are regulated at the U. S. Department of Energy (DOE) facilities exclusively by DOE acting pursuant to its AEA authority. DOE asserts that pursuant to AEA, it has sole and exclusive responsibility and authority to regulate source, special nuclear, and byproduct materials at DOE-owned nuclear facilities. Information contained herein on radionuclides is provided for process description purposes only.

REVISIONS				
REV.	BY	CHK.	DATE	DESCRIPTION
0	SKS	NH	10/30/2017	FOR FABRICATION

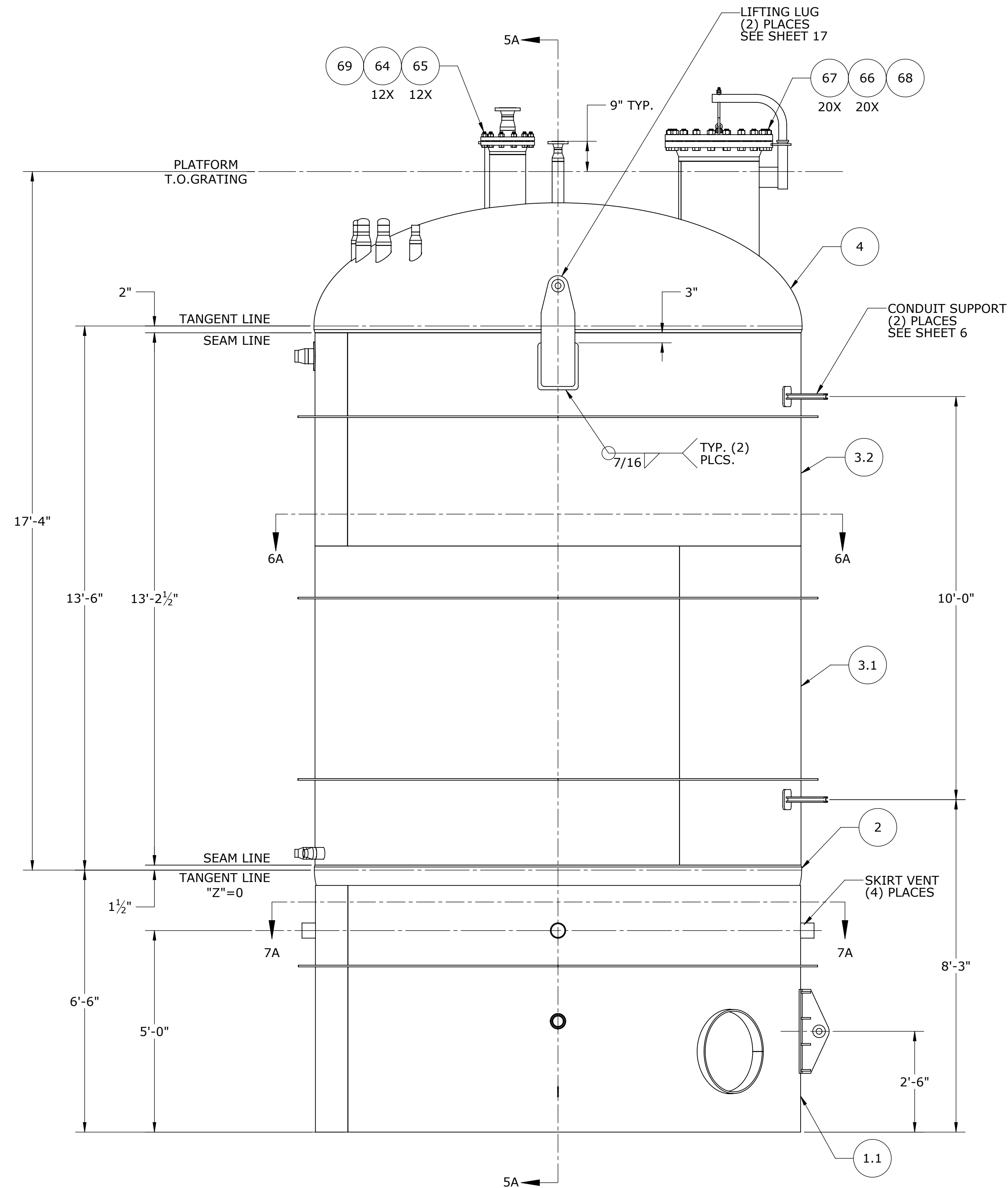
GREENBERRY INDUSTRIAL
 5330 NE ELLIOTT CIRCLE
 CORVALLIS, OR 97330
 PHONE: (541) 757-8458

600 SE MARITIME AVE. SUITE 190
 VANCOUVER, WA 98661
 PHONE: (360) 567-0006
 WWW.GREENBERRY.COM

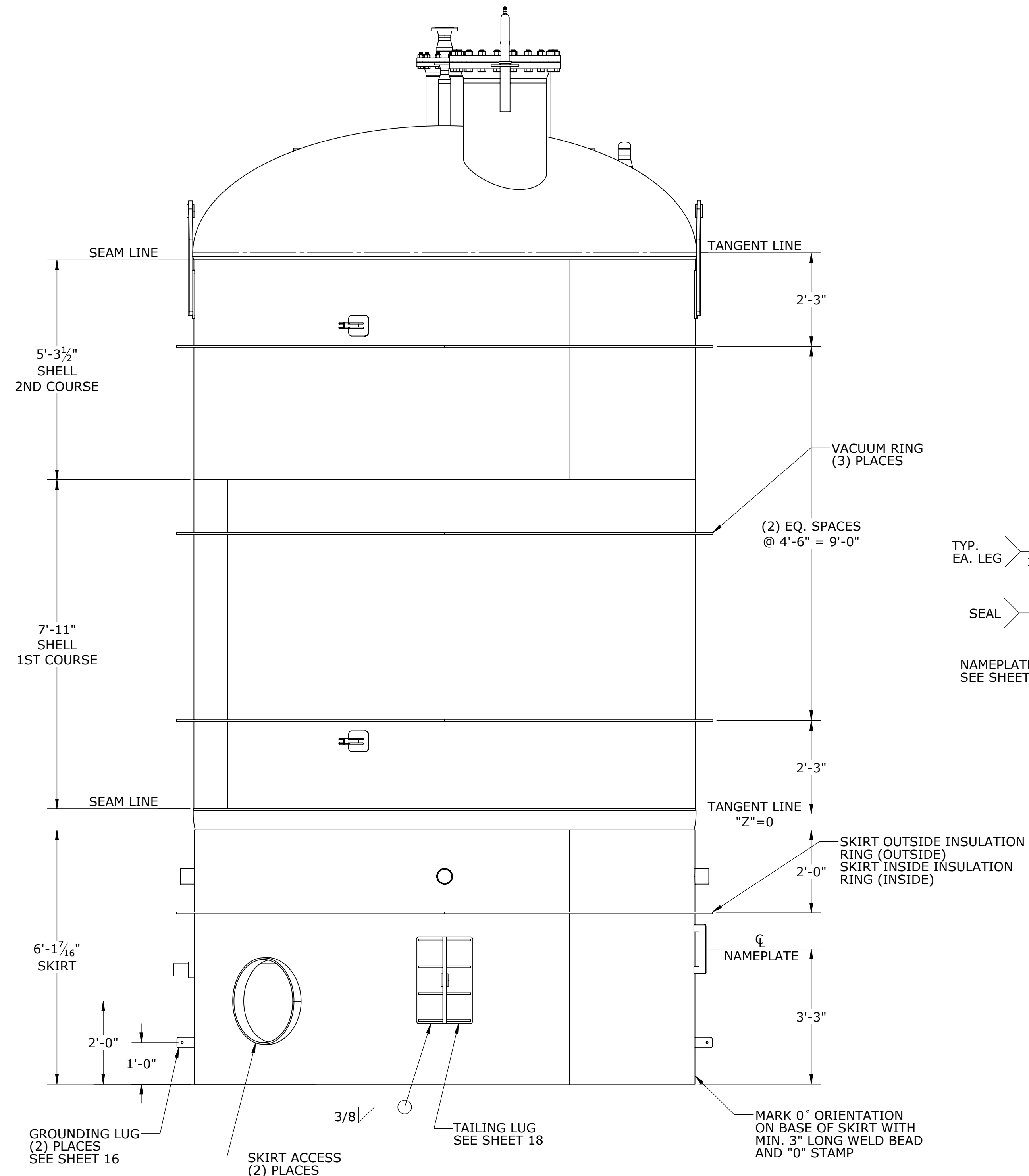
BECHTEL
 RIVER PROTECTION PROJECT WTP
 RICHLAND, WA
 PROJECT #: 24590
 CONTRACT #: DE-AC27-01RV14136
 P.O. #: 24590-CM-POA-MVSC-00005

**DEP-VSL-00003A EVAP. CONC. VESSEL
 NOZZLE SCHEDULE**

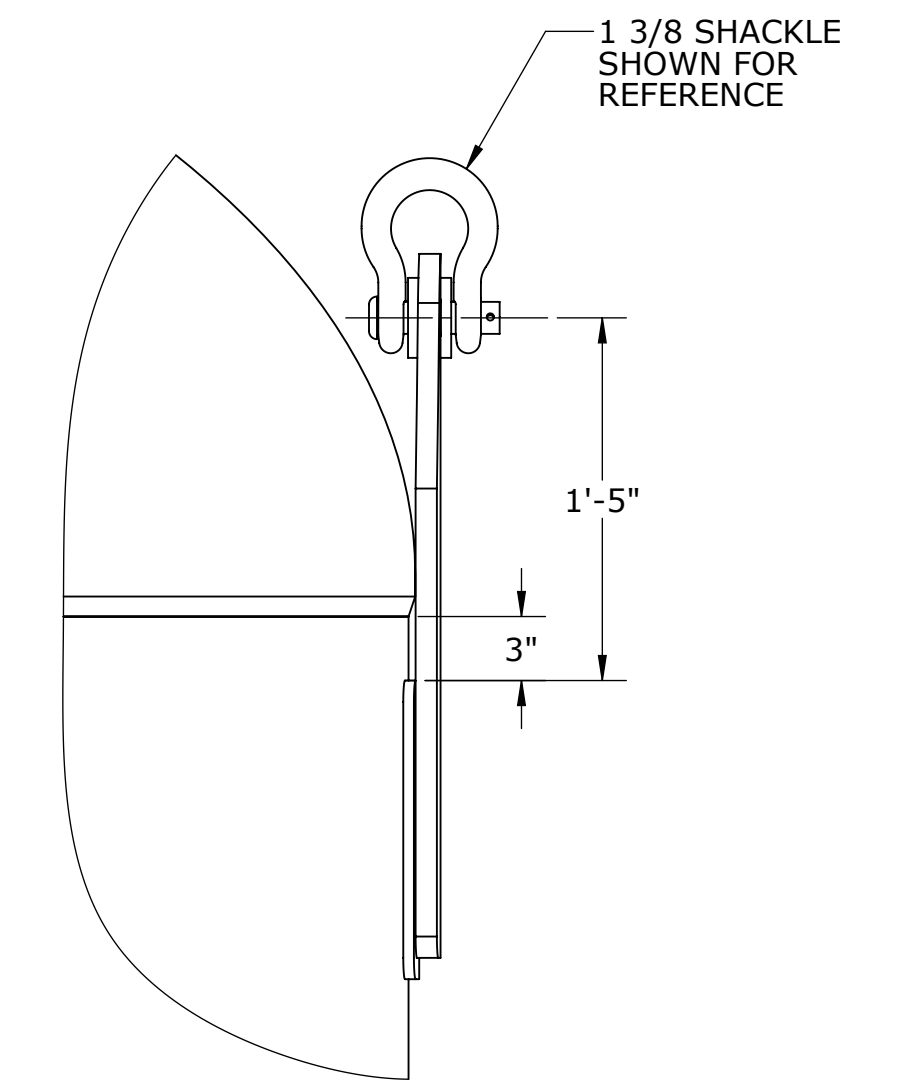
SIZE	DATE: 10/7/2017	DRAWING #:	REV.
D	SHEET: 3 OF 18	500005.001-ECA-3	0



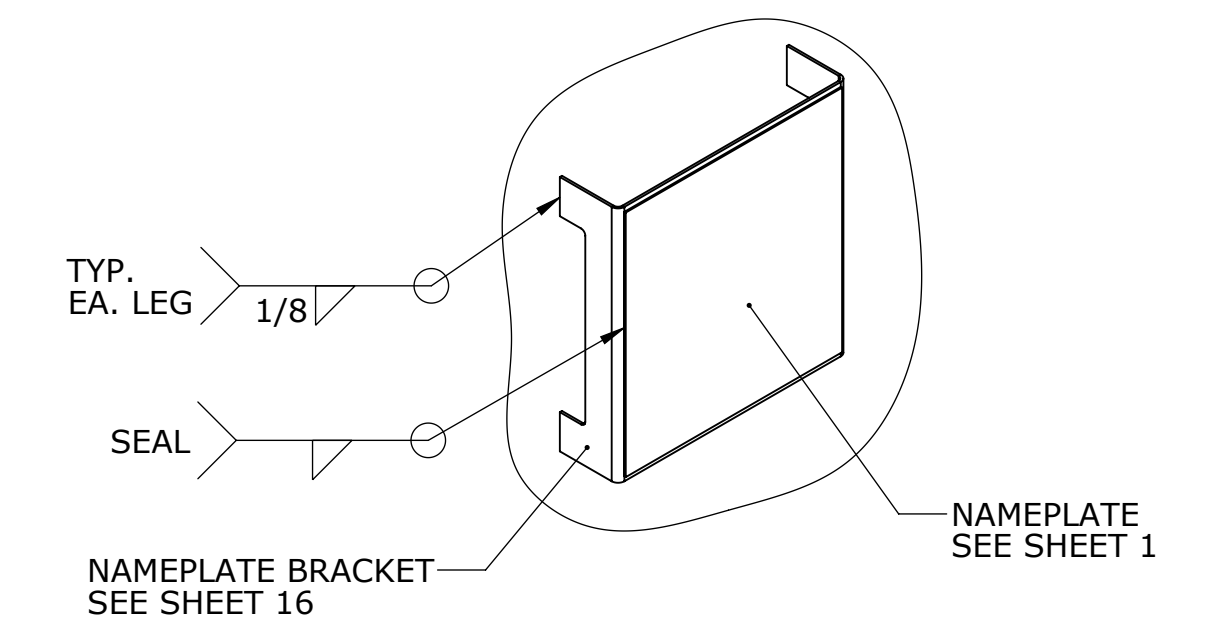
VIEW 4A-4A



VIEW 4B-4B



LIFTING LUG



NAMEPLATE

Please note that source, special nuclear, and byproduct materials, as defined in the Atomic Energy Act of 1954 (AEA) are regulated at the U. S. Department of Energy (DOE) facilities exclusively by DOE acting pursuant to its AEA authority. DOE asserts that pursuant to AEA, it has sole and exclusive responsibility and authority to regulate source, special nuclear, and byproduct materials at DOE-owned nuclear facilities. Information contained herein on radionuclides is provided for process description purposes only.

REVISIONS				
REV.	BY	CHK.	DATE	DESCRIPTION
0	SKS	NH	10/30/2017	FOR FABRICATION

<p>GREENBERRY INDUSTRIAL</p>	GREENBERRY INDUSTRIAL 5330 NE ELLIOTT CIRCLE CORVALLIS, OR 97330 PHONE: (541) 757-8458
	600 SE MARITIME AVE. SUITE 190 VANCOUVER, WA 98661 PHONE: (360) 567-0006 WWW.GREENBERRY.COM
BECHTEL RIVER PROTECTION PROJECT WTP RICHLAND, WA PROJECT #: 24590 CONTRACT #: DE-AC27-01RV14136 P.O. #: 24590-CM-POA-MVSC-00005	
DEP-VSL-00003A EVAP. CONC. VESSEL ELEVATIONS	
SIZE: D SHEET: 4 OF 18	DATE: 10/7/2017 DRAWING #: 500005.001-ECA-4
REV. 0	