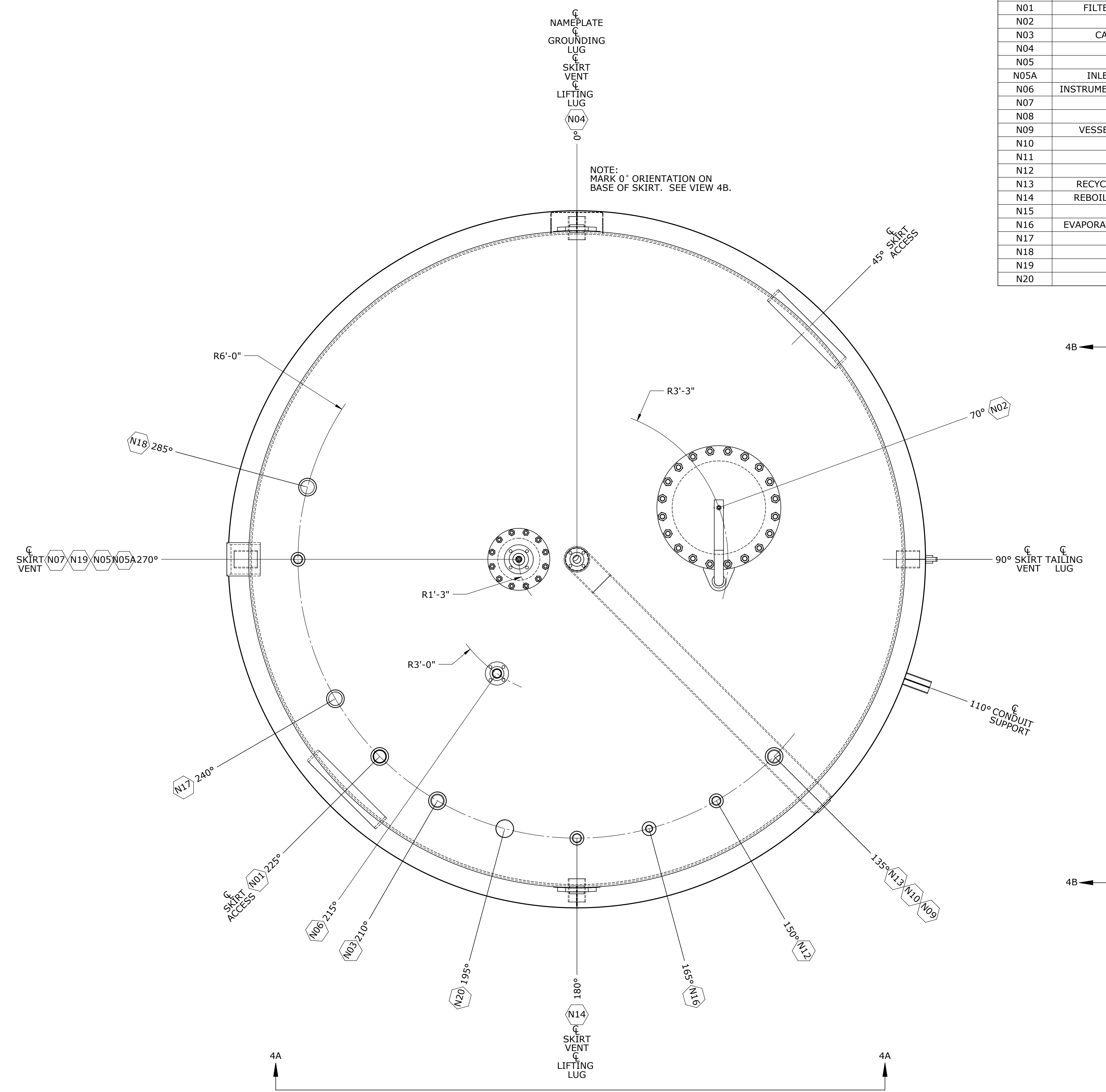


NOZZLE SCHEDULE							
NOZZLE ID	SERVICE	NOMINAL SIZE	REPAD	"Z" DIM.	ANGLE	RADIUS	NOTE
N01	FILTERED EFFLUENT INLET	4" SCH. 40S W/ 4x3 REDUCER	NO	35'-0"	225	6'-0"	SEE SHEET 8
N02	MANWAY	24" OD X 1/2" ROLLED PLATE W/ 24" 150# RFWN	NO	37'-3"	70	3'-3"	SEE SHEET 8
N03	CAUSTIC TANK INLET	4" SCH. 40S W/ 4x3 REDUCER	NO	35'-0"	210	6'-0"	SEE SHEET 8
N04	VENT	3" SCH. 40S W/ 3x2 REDUCER & 2" 150# RFWN	NO	37'-3"	CENTER	CENTER	SEE SHEET 8
N05	SPRAY NOZZLE	10" SCH. 40S W/ 10" 150# RFWN	NO	37'-3"	270	1'-3"	SEE SHEET 9
N05A	INLET TO SPRAY NOZZLE	4" SCH. 40S W/ 4x3 REDUCER & 3" 150# RFWN	NO	38'-1"	270	1'-3"	SEE SHEET 9
N06	INSTRUMENT (LEVEL) W/ STANDPIPE	2" SCH. 40S W/ 2" 150# RFSO	NO	37'-3"	215	3'-0"	SEE SHEET 10
N07	OVERFLOW	8" SCH. 80S	NO	31'-0"	270	SIDE	SEE SHEET 9
N08	-NOT USED-	-	-	-	-	-	-
N09	VESSEL DISCHARGE OUTLET	6" SCH. 80S W/ 6" SCH. 40S ELBOW & 6" SCH. 40S	YES	-4'-9"	135	SIDE	SEE SHEET 11
N10	EDUCTOR INLET	4" SCH. 40S	NO	0'-5"	135	SIDE	SEE SHEET 11
N11	-NOT USED-	-	-	-	-	-	-
N12	INTAKE AIR	3" SCH. 40S W/ 3x2 REDUCER	NO	35'-0"	150	6'-0"	SEE SHEET 9
N13	RECYCLE CONDENSATE INLET	4" SCH. 40S W/ 4x3 REDUCER	NO	35'-0"	135	6'-0"	SEE SHEET 9
N14	REBOILER CONDENSATE INLET	3" SCH. 40S W/ 3x2 REDUCER	NO	35'-0"	180	6'-0"	SEE SHEET 8
N15	-NOT USED-	-	-	-	-	-	-
N16	EVAPORATOR CONCENTRATE INLET	3" SCH. 40S W/ 3x1 1/2 REDUCER	NO	35'-0"	165	6'-0"	SEE SHEET 12
N17	SPARE	4" SCH. 40S W/ 4X3 REDUCER & CAP	NO	35'-0"	240	6'-0"	SEE SHEET 12
N18	SPARE	4" SCH. 40S W/ 4X3 REDUCER & CAP	NO	35'-0"	285	6'-0"	SEE SHEET 12
N19	RECIRCULATION	3" SCH. 40S W/ 3x2 REDUCER	NO	35'-0"	270	6'-0"	SEE SHEET 9
N20	SPARE	4" SCH. 80S W/ CAP	NO	35'-0"	195	6'-0"	SEE SHEET 12

NOTE: "Z" DIMENSION IS MEASURED FROM BOTTOM TANGENT LINE. SEE NOZZLE DETAILS.



Please note that source, special nuclear, and byproduct materials, as defined in the Atomic Energy Act of 1954 (AEA) are regulated at the U. S. Department of Energy (DOE) facilities exclusively by DOE acting pursuant to its AEA authority. DOE asserts that pursuant to AEA, it has sole and exclusive responsibility and authority to regulate source, special nuclear, and byproduct materials at DOE-owned nuclear facilities. Information contained herein on radionuclides is provided for process description purposes only.

REVISIONS				
REV.	BY	CHK.	DATE	DESCRIPTION
0	SKS	NH	10/30/2017	FOR FABRICATION

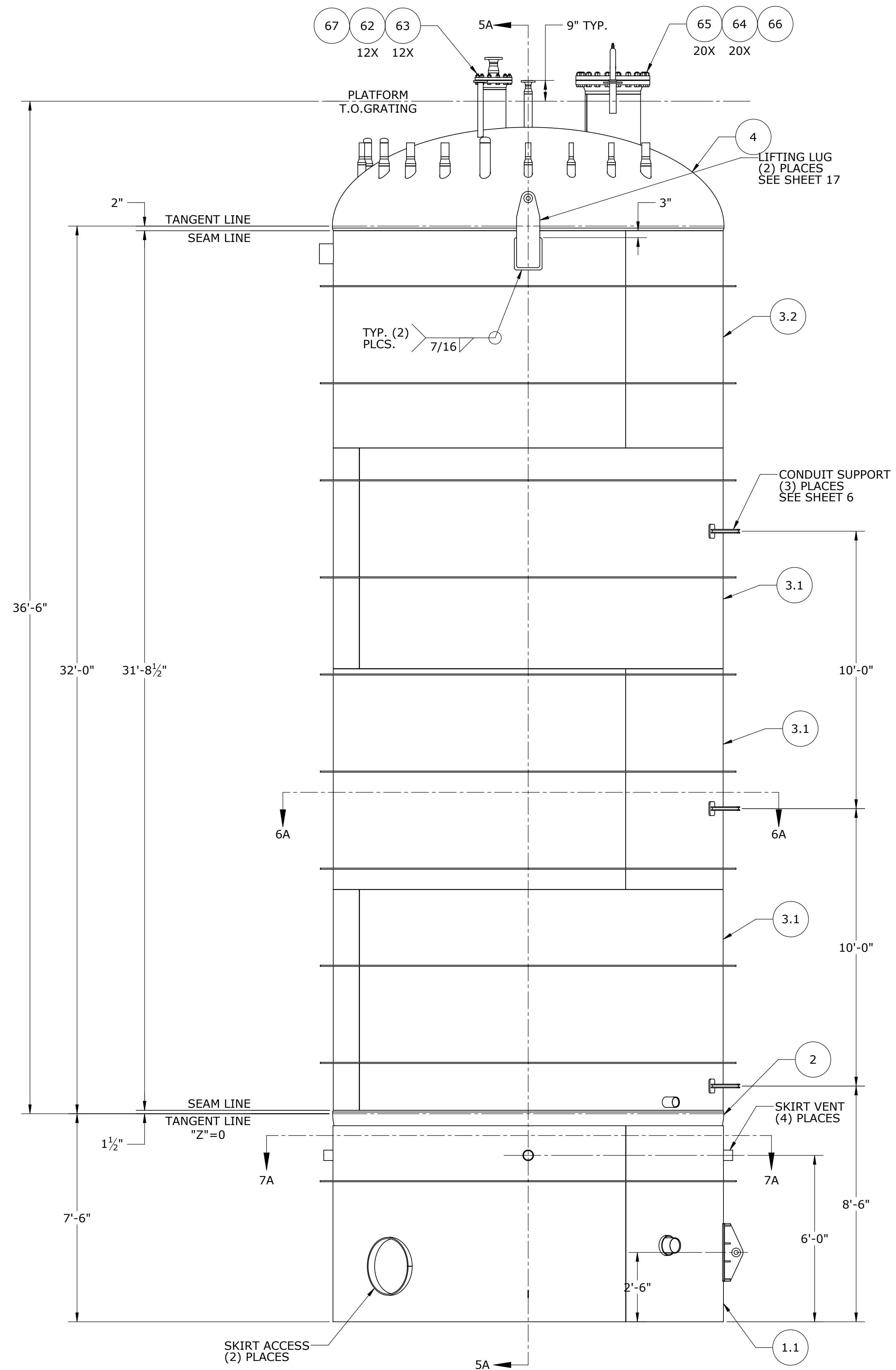
**GREENBERRY INDUSTRIAL**  
 5330 NE ELLIOTT CIRCLE  
 CORVALLIS, OR 97330  
 PHONE: (541) 757-8458

600 SE MARITIME AVE, SUITE 190  
 VANCOUVER, WA 98661  
 PHONE: (360) 567-0006  
 WWW.GREENBERRY.COM

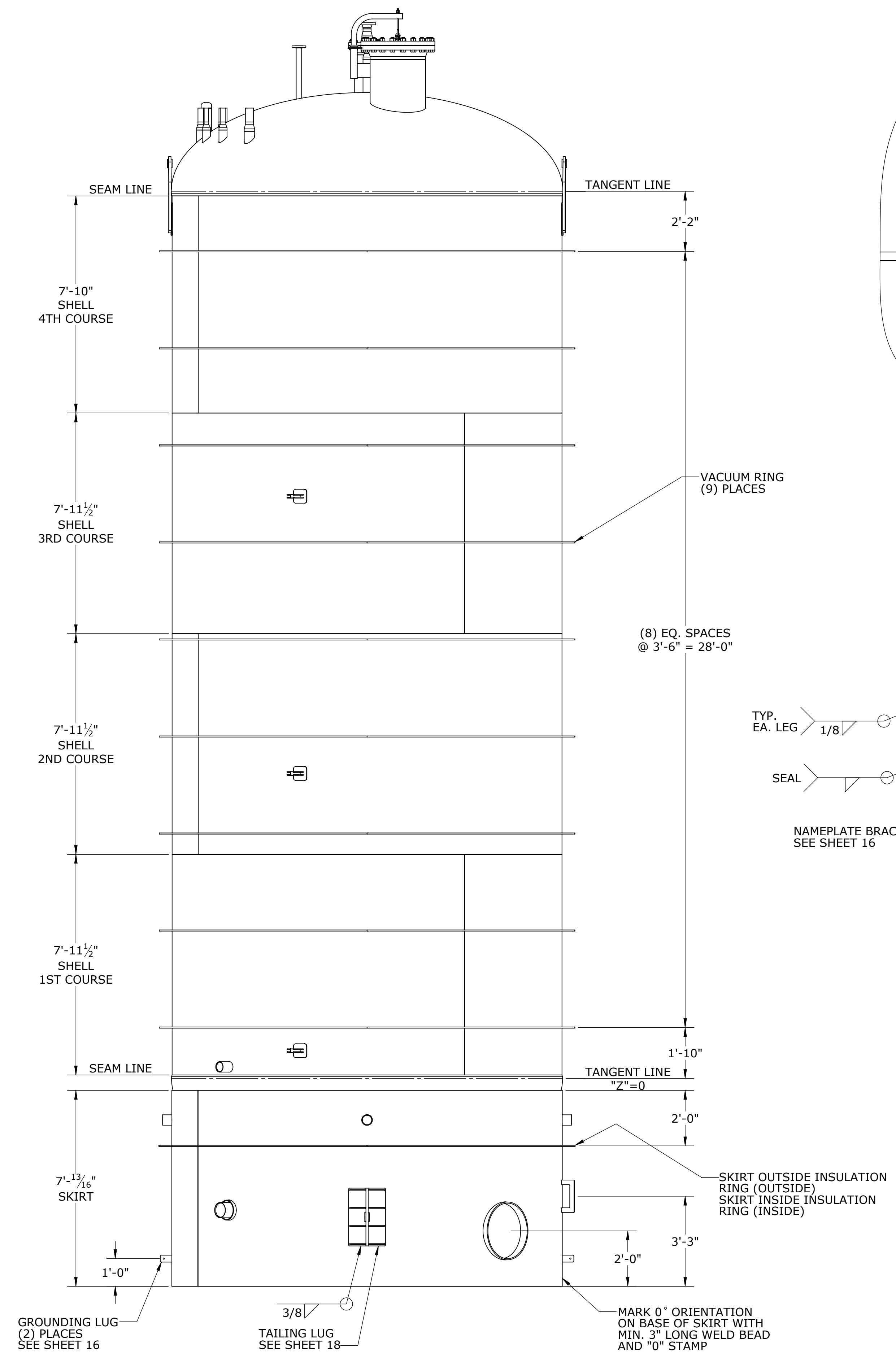
**BECHTEL**  
 RIVER PROTECTION PROJECT WTP  
 RICHLAND, WA  
 PROJECT #: 24590  
 CONTRACT #: DE-AC27-01RV14136  
 P.O. #: 24590-CM-POA-MVSC-00005

**DEP-VSL-00002 EVAPORATOR FEED VESSEL  
 NOZZLE SCHEDULE**

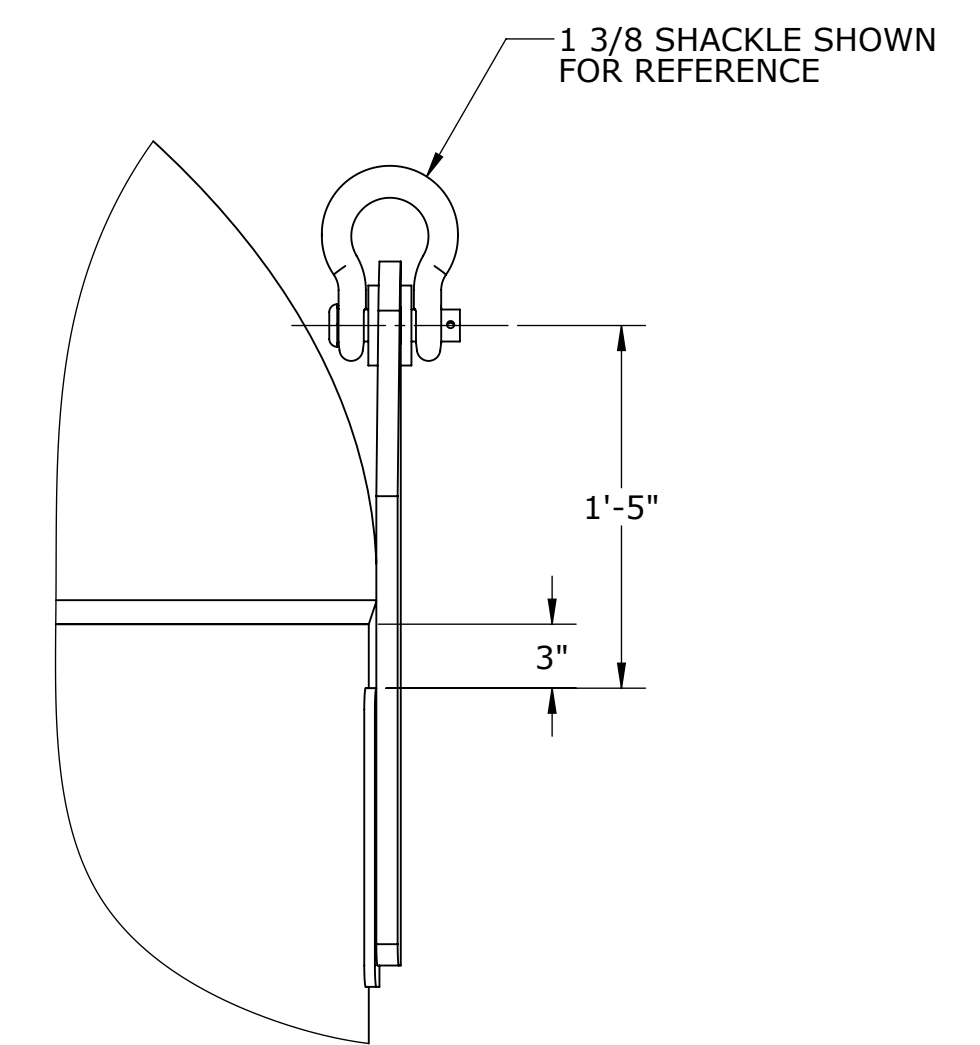
SIZE	DATE: 9/25/2017	DRAWING #:	REV.
<b>D</b>	SHEET: 3 OF 18	<b>500005.001-EF-3</b>	0



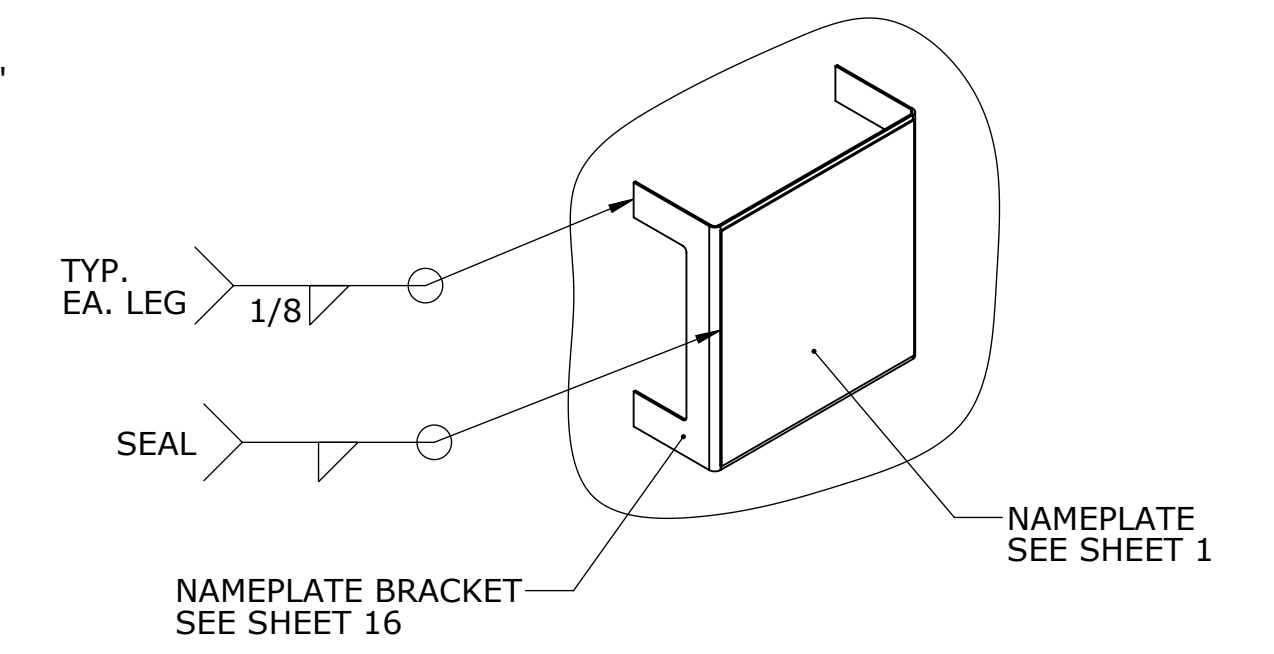
VIEW 4A-4A



VIEW 4B-4B




LIFTING LUG



NAMEPLATE

Please note that source, special nuclear, and byproduct materials, as defined in the Atomic Energy Act of 1954 (AEA) are regulated at the U. S. Department of Energy (DOE) facilities exclusively by DOE acting pursuant to its AEA authority. DOE asserts that pursuant to AEA, it has sole and exclusive responsibility and authority to regulate source, special nuclear, and byproduct materials at DOE-owned nuclear facilities. Information contained herein on radionuclides is provided for process description purposes only.

REVISIONS				
REV.	BY	CHK.	DATE	DESCRIPTION
0	SKS	NH	10/30/2017	FOR FABRICATION


**GREENBERRY INDUSTRIAL**  
 5330 NE ELLIOTT CIRCLE  
 CORVALLIS, OR 97330  
 PHONE: (541) 757-8458  
 600 SE MARITIME AVE., SUITE 190  
 VANCOUVER, WA 98661  
 PHONE: (360) 567-0006  
 WWW.GREENBERRY.COM

**BECHTEL**  
 RIVER PROTECTION PROJECT WTP  
 RICHLAND, WA  
 PROJECT #: 24590  
 CONTRACT #: DE-AC27-01RV14136  
 P.O. #: 24590-CM-POA-MVSC-00005

DEP-VSL-00002 EVAPORATOR FEED VESSEL ELEVATIONS

SIZE	DATE: 9/25/2017	DRAWING #:	REV.
D	SHEET: 4 OF 18	500005.001-EF-4	0