

MAX NOZZLE LOADING FOR INDICATED CONNS

SYMBOL	BECHTEL NO.	FORCE [LBS]			MOMENTS [FT-LBS]		
		P	Vc	VI	Mc	MI	MT
6S1	N01	+/- 310	416	382	613	963	963
6S2	N03	+/- 176	236	216	350	550	550
6S3	N02	+/- 176	216	236	350	550	550
6T1	N04	+/- 176	216	236	350	550	550
6T2	N05	+/- 176	216	236	350	550	550

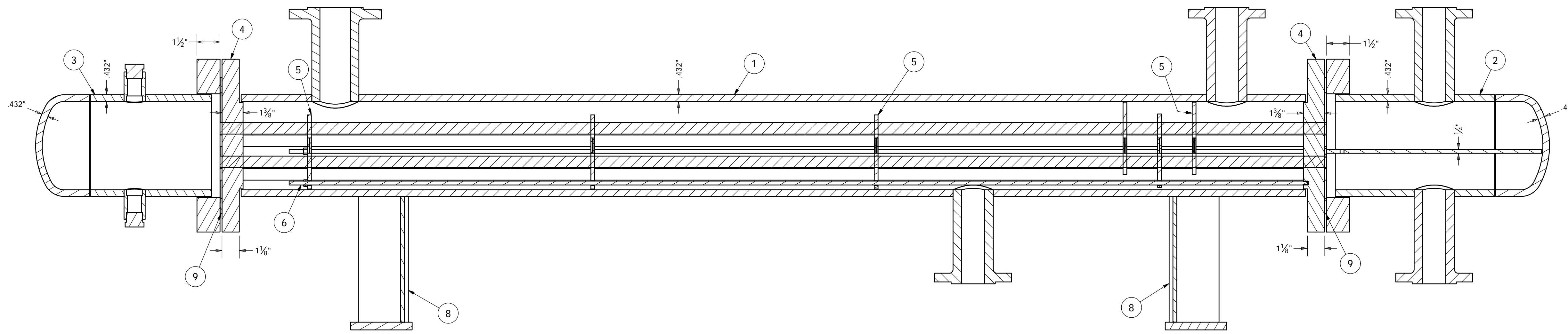
SYMBOL	BECHTEL NO.	NO REQ'D	SIZE	CONNECTION SCHEDULE		WALL THK	SERVICE	REMARKS
				S = SHELL SIDE	T = TUBE SIDE			
6S1	N01	1	2.00	150# ASME (RFLWN)	0.530	-	VAPOR INLET	
6S1.1		1	0.75	NPT 3000#	-	-	TEST	PLUGGED
6S2	N03	1	1.50	150# ASME (RFLWN)	0.560	-	VAPOR OUTLET	
6S2.1		1	0.50	NPT 3000#	-	-	TEST	PLUGGED
6S3	N02	1	1.50	150# ASME (RFLWN)	0.560	-	CONDENSATE OUTLET	
6T1	N04	1	1.50	150# ASME (RFLWN)	0.560	-	WATER INLET	
6T2	N05	1	1.50	150# ASME (RFLWN)	0.560	-	WATER OUTLET	
6T3		1	0.75	NPT 3000# CPLG	-	-	VENT	PLUGGED
6T4		1	0.75	NPT 3000# CPLG	-	-	DRAIN	PLUGGED

Please note that source, special nuclear, and byproduct materials, as defined in the Atomic Energy Act of 1954 (AEA) are regulated at the U. S. Department of Energy (DOE) facilities exclusively by DOE acting pursuant to its AEA authority. DOE asserts that pursuant to AEA, it has sole and exclusive responsibility and authority to regulate source, special nuclear, and byproduct materials at DOE-owned nuclear facilities. Information contained herein on radionuclides is provided for process description purposes only.

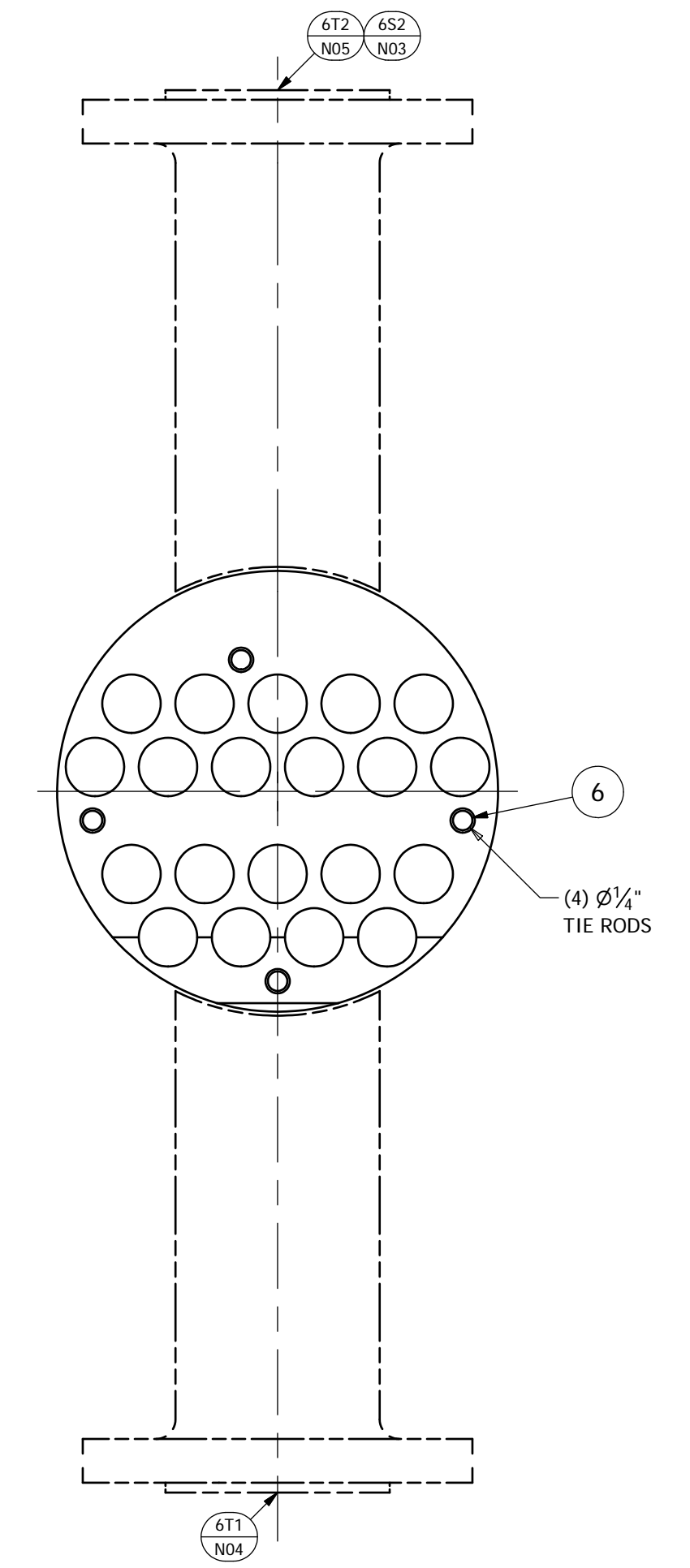
GRAHAM CORPORATION
20 FLORENCE AVE. BATAVIA, NEW YORK

6" x 72" BEM AFTER CONDENSER
GENERAL ARRANGEMENT & CROSS SECTIONAL DRAWING

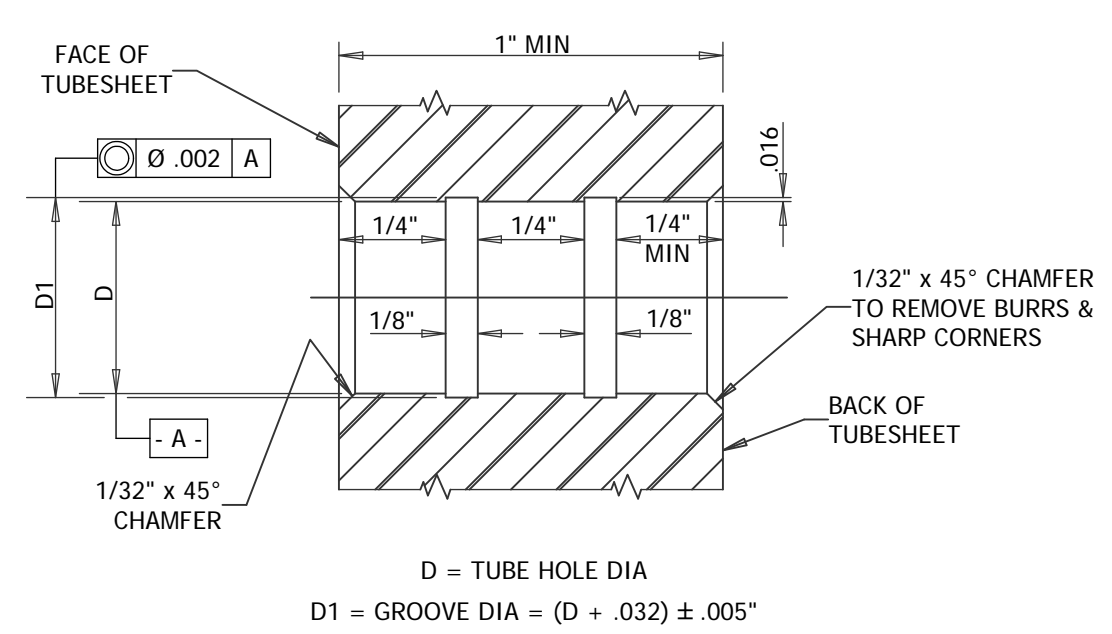
DESIGN: LRE SIZE DWG. NO. **68846-0600** REV 3
DRAWN: GMB
CHECKED: CAP SCALE: DO NOT SCALE DATE 10/23/2017 SHEET 2 of 3



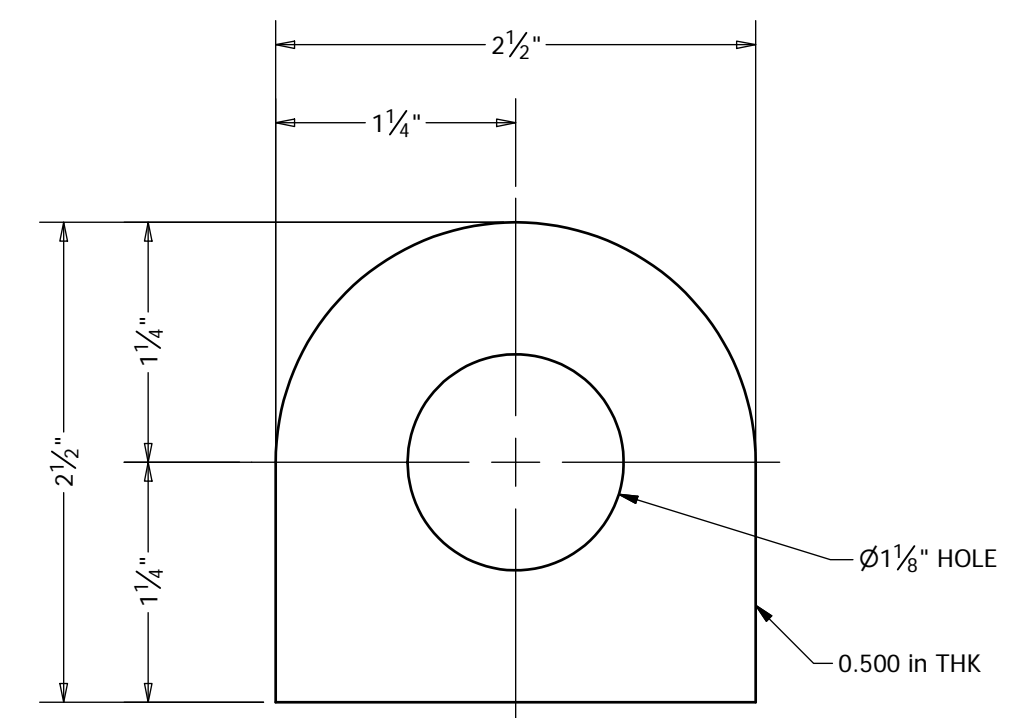
SECTION B-B
CROSS SECTIONAL DRAWING



TUBEFIELD LAYOUT
(20) 3/4" DIA. x 18 BWG (MIN) TUBES



DETAIL "C"
(TUBE HOLE GROOVING)
(Per Graham Std. S-1039)



DETAIL "D"
LIFTING LUG DETAIL
(INLET & OUTLET WATERBOX)

NO	PART NAME	MATERIALS OF CONSTRUCTION	
		MATERIAL	SPECIFICATION
1	SHELL	STAINLESS STEEL	SA-240-304/304L, SA-312-304/304L(w), SA-182-304/304L
2	INLET WATERBOX	STAINLESS STEEL	SA-240-304/304L, SA-312-304/304L(w), SA-182-304/304L, SA-403-304/304L
3	RETURN WATERBOX	STAINLESS STEEL	SA-240-304/304L, SA-312-304/304L(w), SA-182-304/304L, SA-403-304/304L
4	TUBESHEETS	STAINLESS STEEL	SA-240-304/304L
5	TUBE SUPPORTS & BAFFLE PLATES	STAINLESS STEEL	SA-240-304/304L
6	TIERODS, SPACERS & NUTS	STAINLESS STEEL	COMM OUAL
7	TUBES	STAINLESS STEEL	SA-213-304/304L(sm/s)
8	CRADLES	STAINLESS STEEL	SA-240-304/304L
9	GASKETS	SPIRAL WOUND	304/304L WINDINGS, INNER & OUTER RING, & PTFE FILLER
10	BOLTING	STAINLESS STEEL	SA-193-B8 CLASS 1, SA-194-GR8

Please note that source, special nuclear, and byproduct materials, as defined in the Atomic Energy Act of 1954 (AEA) are regulated at the U. S. Department of Energy (DOE) facilities exclusively by DOE acting pursuant to its AEA authority. DOE asserts that pursuant to AEA, it has sole and exclusive responsibility and authority to regulate source, special nuclear, and byproduct materials at DOE-owned nuclear facilities. Information contained herein on radionuclides is provided for process description purposes only.

GRAHAM CORPORATION
20 FLORENCE AVE. BATAVIA, NEW YORK

6" x 72" BEM AFTER CONDENSER
GENERAL ARRANGEMENT & CROSS SECTIONAL DRAWING

DESIGN: LRE SIZE DWG. NO. **68846-0600** REV 3
DRAWN: GMB
CHECKED: CAP SCALE: DO NOT SCALE DATE 10/23/2017 SHEET 3 of 3