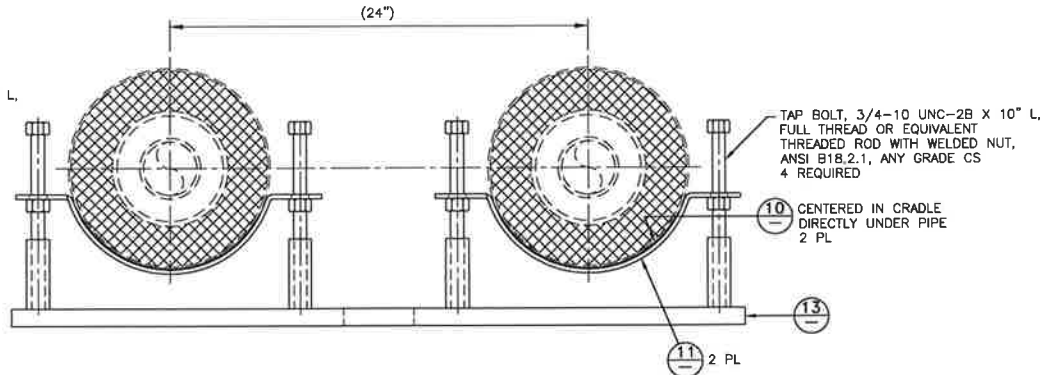
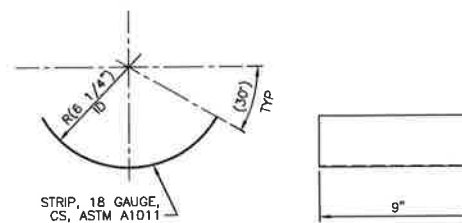


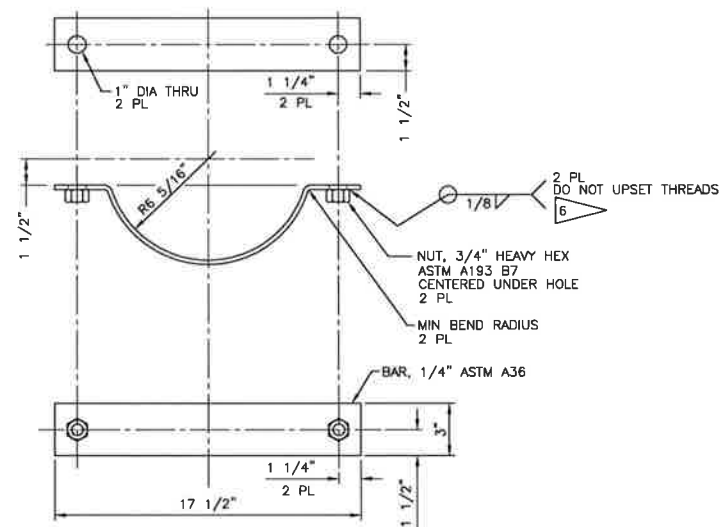
8 CONSTRUCTION SUPPORT ASSY
SCALE: 3"=1'-0"
COMPONENTS DO NOT REQUIRE PAINTING OR COATINGS.



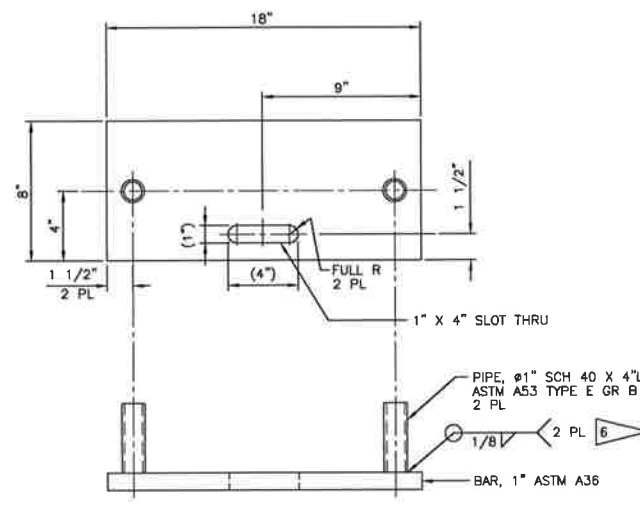
9 CONSTRUCTION SUPPORT ASSY
SCALE: 3"=1'-0"
COMPONENTS DO NOT REQUIRE PAINTING OR COATINGS.



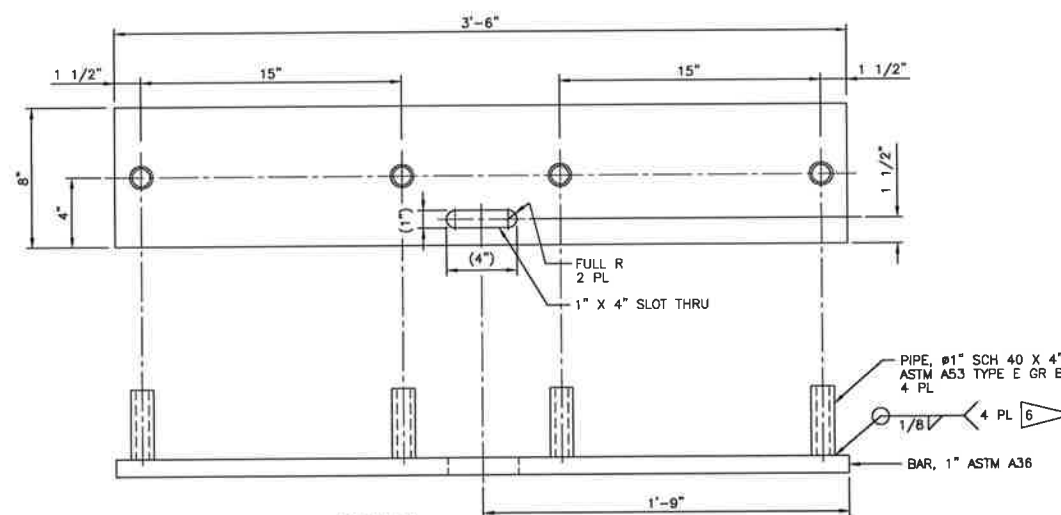
10 DETAIL PIPE INSULATION PROTECTION SADDLE
SCALE: 3"=1'-0"



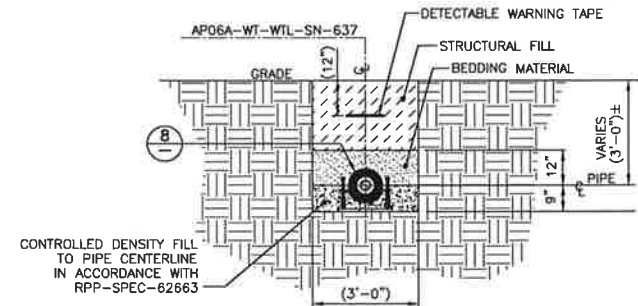
11 DETAIL ADJUSTABLE CONSTRUCTION SUPPORT CRADLE
SCALE: 3"=1'-0"



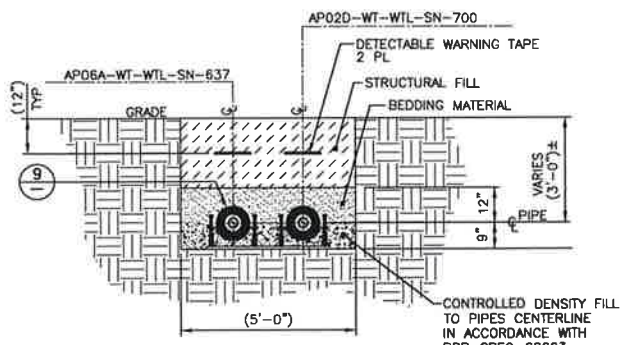
12 DETAIL CONSTRUCTION SUPPORT BASE PLATE
SCALE: 3"=1'-0"



13 DETAIL CONSTRUCTION SUPPORT BASE PLATE
SCALE: 3"=1'-0"



14 DETAIL TRENCH W/ CONST SPRT
SCALE: 1/2"=1'-0"



15 DETAIL TRENCH W/ CONST SPRT
SCALE: 1/2"=1'-0"



FOR GENERAL NOTES SEE SHEET 1.

DATE:
Aug 20, 2019
HANFORD RELEASE

DWG NUMBER	TITLE	REFERENCES
H-14-111376	AP FARM UPGRADES DRAWING LIST	
		0 RELEASED PER EDT-882029

DATE	BY	DESCRIPTION

U.S. DEPARTMENT OF ENERGY
Office of River Protection
PIPING DETAILS
AP FARM YARD PIPING
H-14-111373
3 00