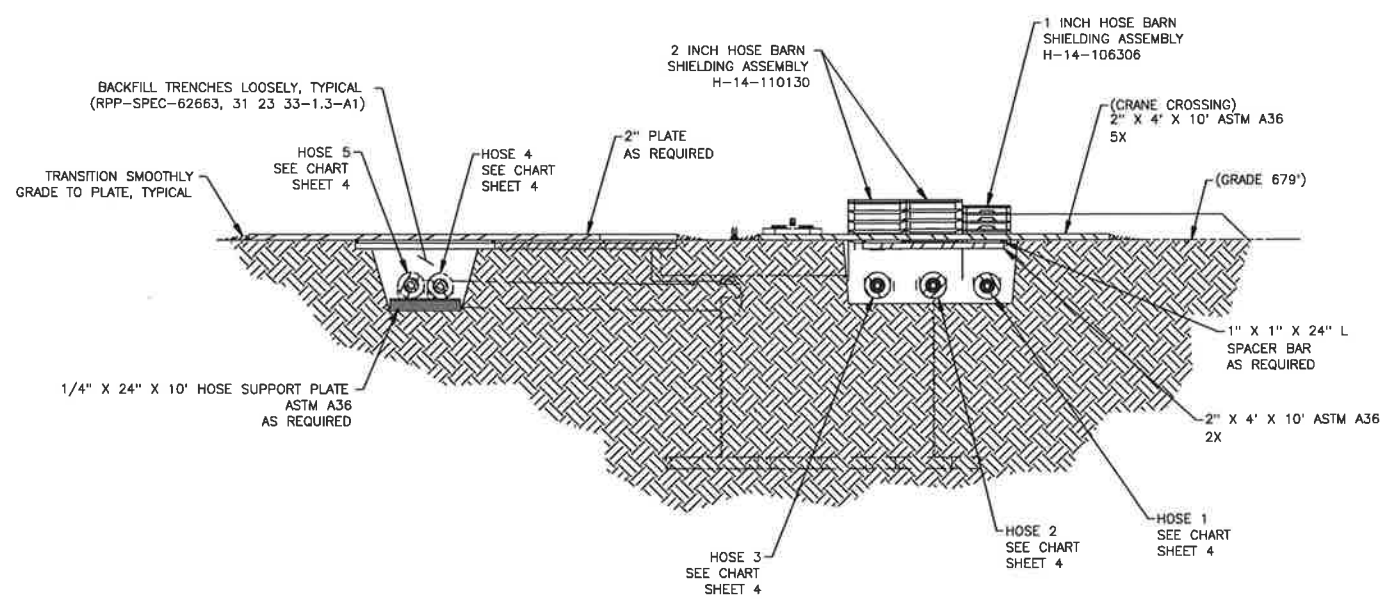
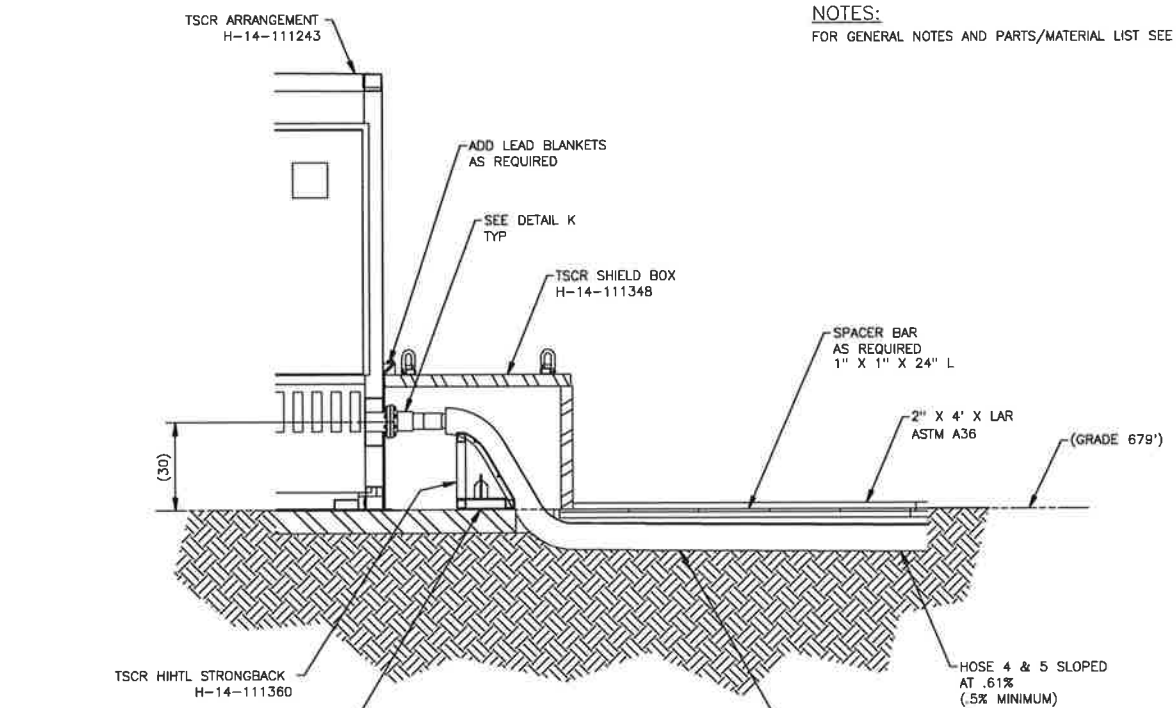


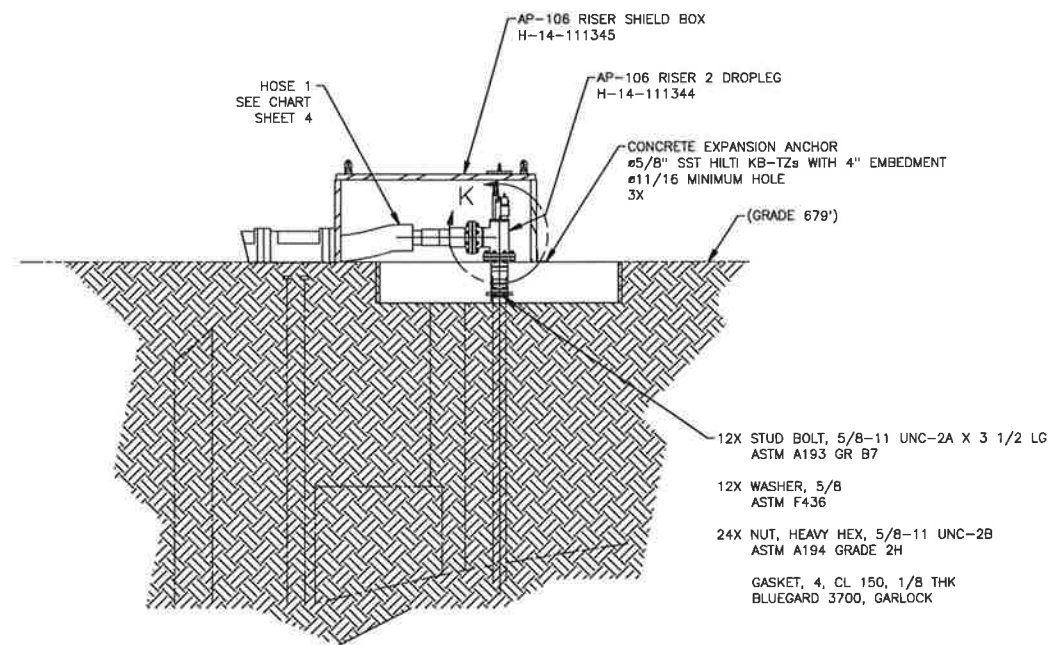
NOTES:
FOR GENERAL NOTES AND PARTS/MATERIAL LIST SEE SHEET 1.



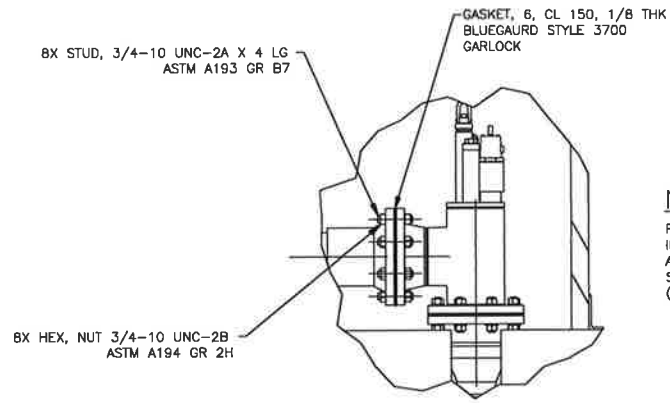
SECTION G-G
SCALE: 1/24
SHEET 1
(SOME ITEMS REMOVED FOR CLARITY)



SECTION H-H
SCALE: 1/24
SHEET 1
(SOME ITEMS REMOVED FOR CLARITY)



SECTION J-J
SCALE: 1/24
SHEET 1
(SOME ITEMS REMOVED FOR CLARITY)



DETAIL K
SCALE: 1 / 8
(TYPICAL HIHTL CONNECTION)



NOTE:
PRIMARY HOSE CONNECTION DETAILED IN CONSTRUCTION SPEC RPP-SPEC-62663. A NEW SAFETY SIGNIFICANT EPDM O-RING SHALL BE USED FOR EACH ASSEMBLY. (O-RING, RIVER BEND ED515-2-135)

DATE: Aug 29, 2019
HANFORD RELEASE

DWG NUMBER	TITLE	REF NUMBER	TITLE
	DRAWING TRACEABILITY LIST		REFERENCES
			REVISIONS

DATE NO. 241-AP	NAME: W. T. ARNDT, H. A. MENDEZ	U.S. DEPARTMENT OF ENERGY Office of River Protection AP FARM TSCR UPGRADES HIHTL LAYOUT SECTIONS
DATE NO. 9901	DESIGN: J. P. WITHERSPOON	SCALE AS SHOWN
		31000