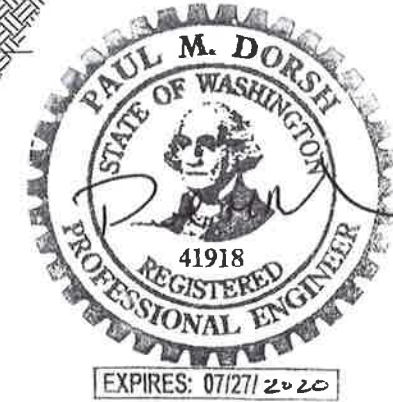
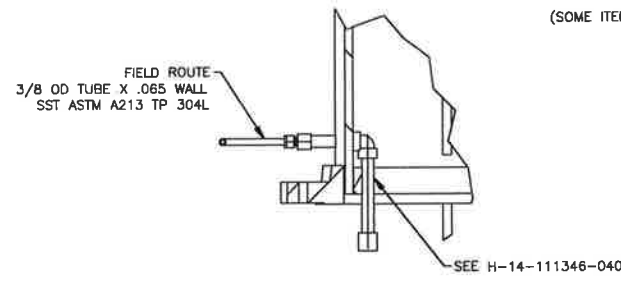
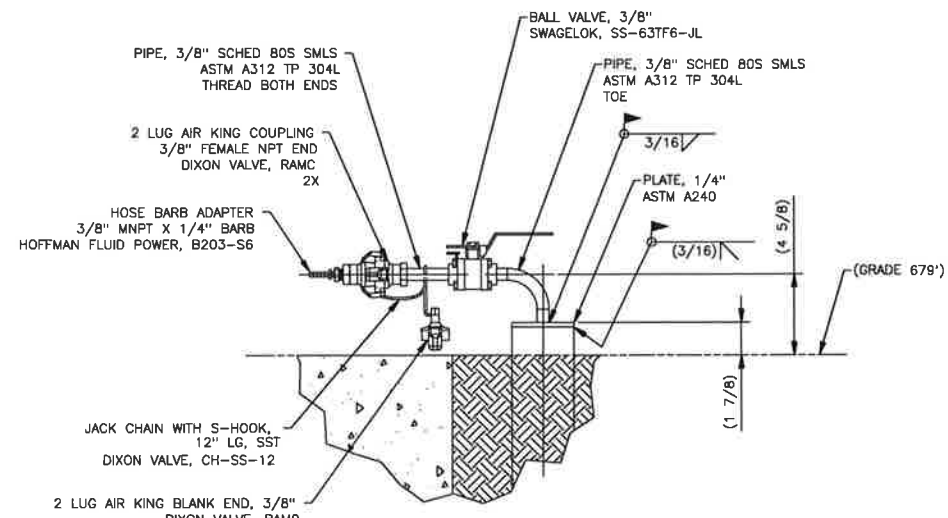
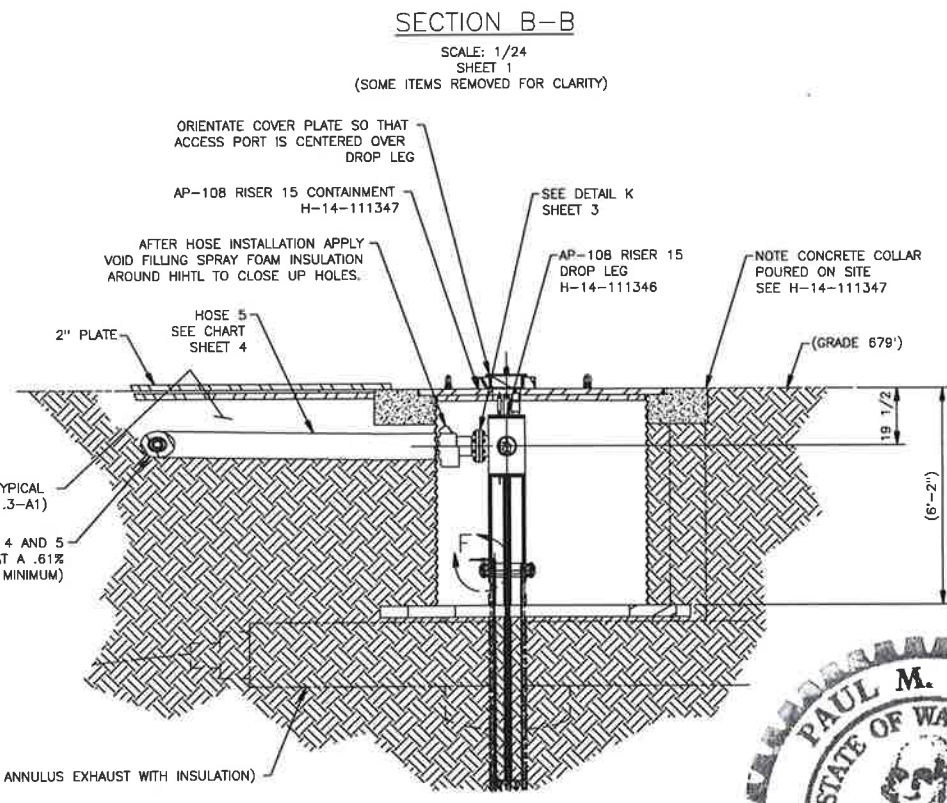
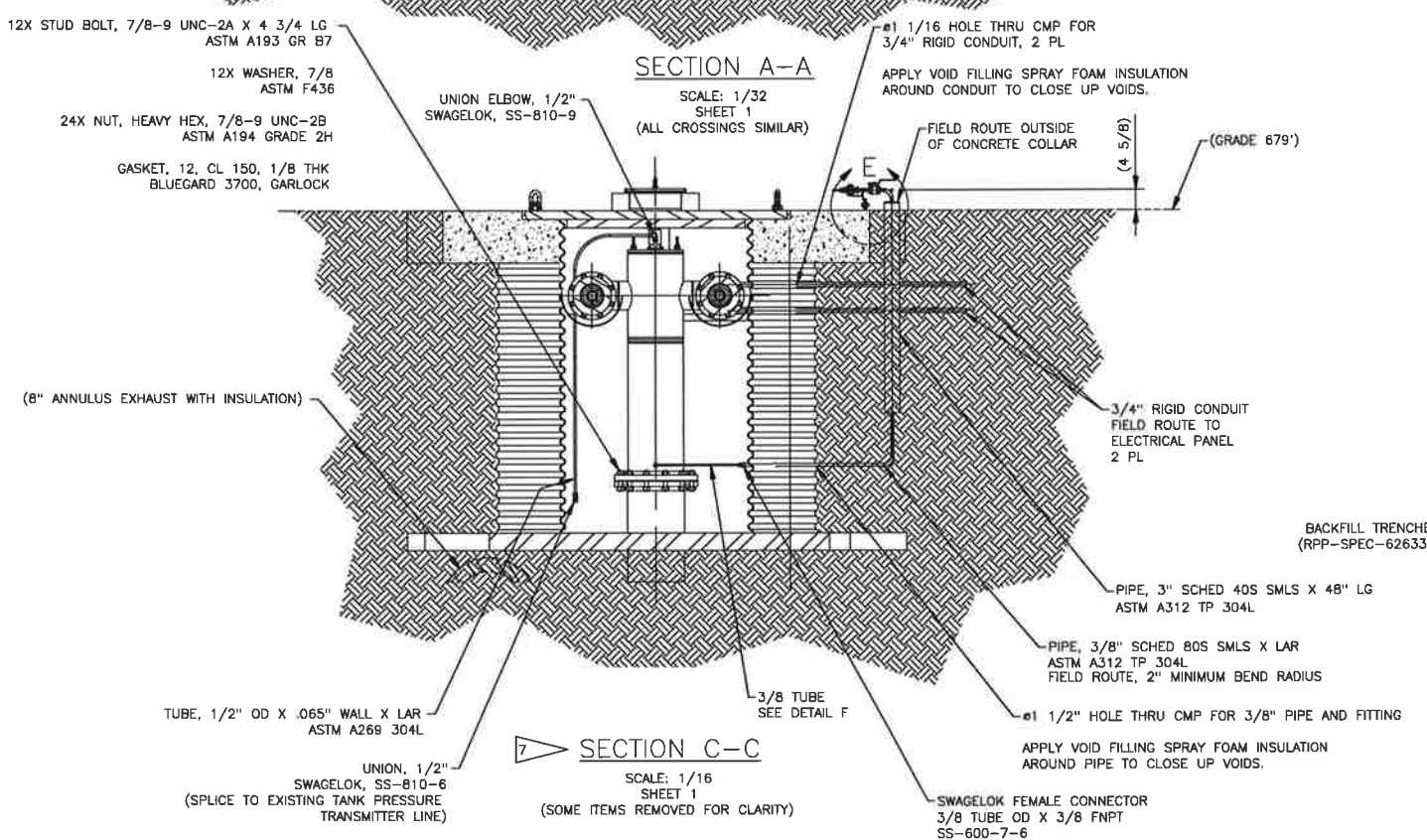
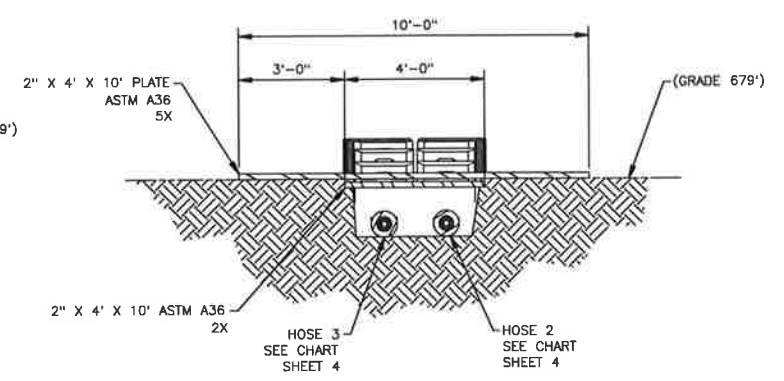
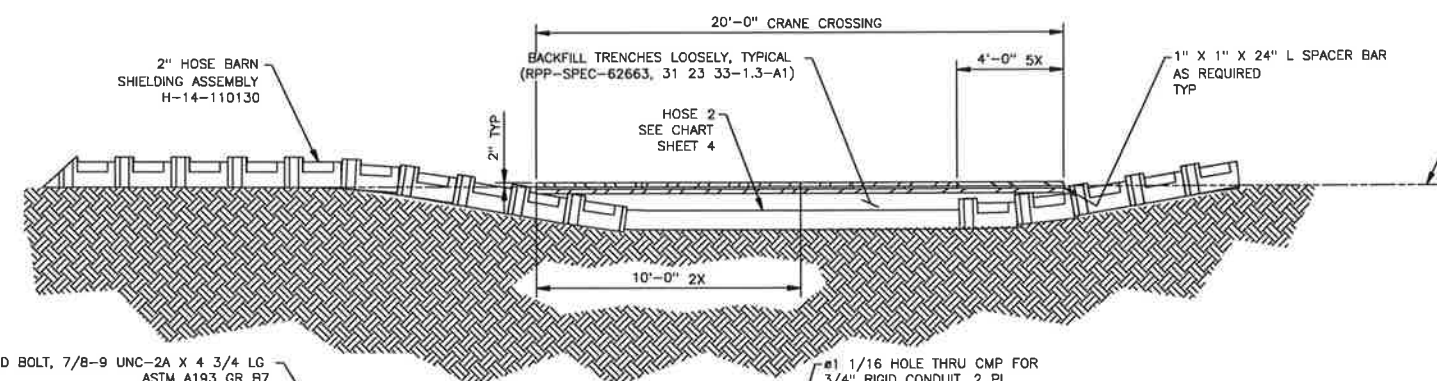


NOTES:  
FOR GENERAL NOTES AND PARTS/MATERIAL LIST SEE SHEET 1.



**DATE:**  
Aug 29, 2019  
HANFORD RELEASE

DWG NUMBER	TITLE	REF NUMBER	TITLE	BY	DATE
	DRAWING TRACEABILITY LIST		REFERENCES		
			NEXT USED ON SEE SHEET 1		

241-AP		CAUTION: NOT COMPLETE WITHOUT CURRENT CHANGE DOCUMENTS FROM DATABASE	
NAME	DATE	NAME	DATE
W. T. ARNDT		H. A. MENDEZ	
U.S. DEPARTMENT OF ENERGY Office of River Protection			
AP FARM TSCR UPGRADES HIHTL LAYOUT SECTIONS			
DESIGNED BY	CHECKED BY	DATE	REV
J. P. WITHERSPOON		F	2
H-14-111331		2 00	
SCALE AS SHOWN			